

PW10012VA01

100W DC/DC Power Converter Module, 9~36V Input, 12V Output

PW10012VA01 is an intelligent, vehicle power supply. Designed to provide 100W power and control the ON/OFF switch of device on ignition status. PW10012VA01 is a wide input 9 to 36V vehicle power supply capable of surviving tough engines. The timing of power on ignition delay is programmable for minutes or seconds.

Key Features

- 9 ~ 36V Wide Input Voltage.
- Single 12V DC Voltage Output.
- 100W Max Load
- High Efficiency up to 95%
- Short Circuit Protection
- Over Current/Voltage protection
- Ignition Shutdown Control
- Compact Size
- ROHS Compliant



Specifications

V1

Model No.	PW10012VA01
Description	100W DC/DC power Converter Module
Input Voltage	DC 9V ~ 36V
Output Voltage	DC 12V
Max. Output Power	100W
Efficiency	Up to 95%
Noise and Ripple	< 150mV
Line Regulation	< 0.2% @12V
Load Regulation	<0.25% @ 12V
Inrush Current (max)	12.5A @9V
Ignition Control	Yes
Power On/Off Delay	Timing Programmable or Jumper setting
Operation Temperature	-20 °C ~ 60 °C
Storage Temperature	-30 °C ~ 70 °C
Dimension (LxWxH)	102x50x30 mm

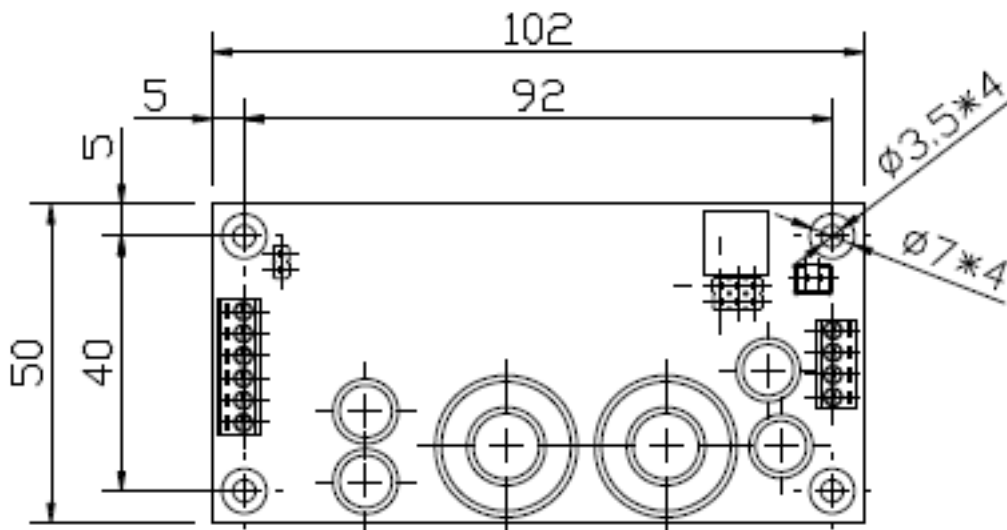
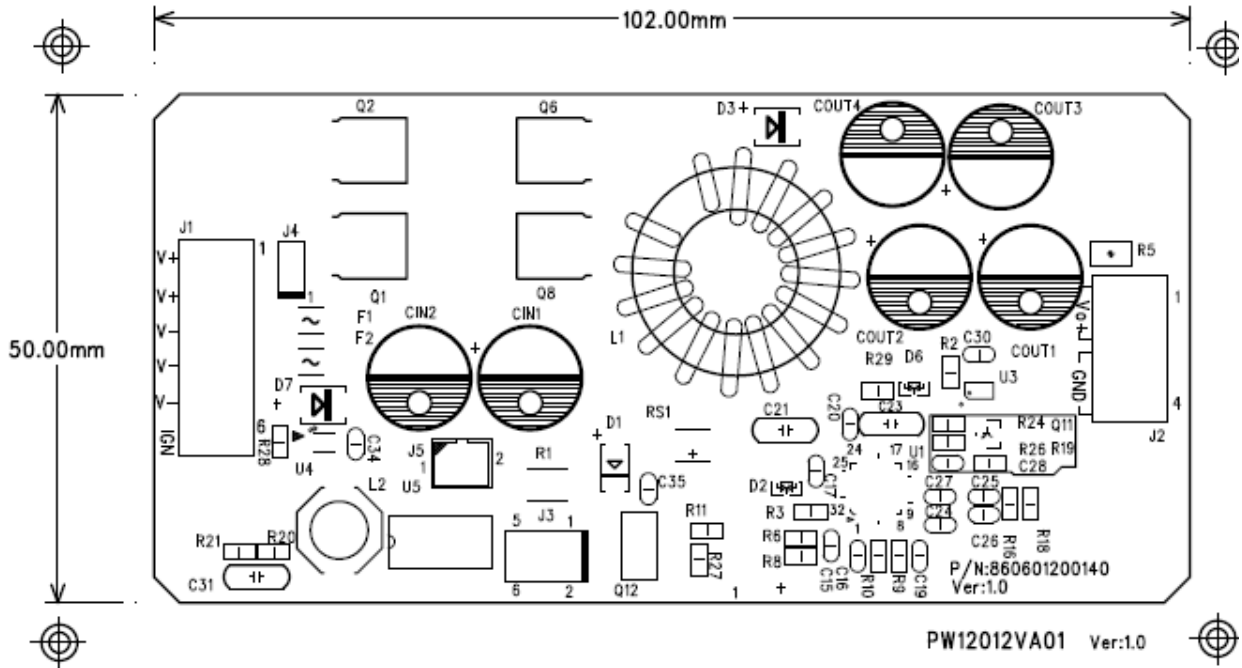
Specifications are subject to change without notice.

All brands or product names are trademarks or registered trademarks of their respective companies.

Mechanical Drawing

Outline Dimensions

Unit:mm





Power Connector Pin Assignment:

J1: Power Input Connector

Pin 1	Pin 2	Pin 3	Pin 4	Pin 5
V-in (Voltage Input)	V-in (Voltage Input)	GND	GND	IGN (Ignition Input)

J2: Power Output Connector

Pin 1	Pin 2	Pin 3	Pin 4
V-out (Voltage Out)	V-out (Voltage Out)	GND	GND

J3: Ignition Timing Setting Connector

J5: Ignition Disable Connector

Ordering Information

Part Number	Description
880611203010	PCBA,PWR,PW10012VA01.VER1,P

Optional Accessories

Part Number	Description