



ABT™

CCFL Specifications

Key Features

- Sunlight Readable
- LVDS
- Long Lamp Life
- Thin and Light
- 8 CCFL



ALF/ALH1226 (TOSHIBA LTD121EC5S)

Model No.	ALF1226	ALH1226
LCD Display	12.1" TFT LCD Module	12.1" TFT LCD Module
Display Area	245.76 x 184.32mm	245.76 x 184.32mm
Brightness	1250 cd/m ²	1250 cd/m ²
Resolution	1024x768 (XGA)	1024x768 (XGA)
Contrast Ratio	250 : 1	250 : 1
Pixel Pitch (mm)	0.24(H) x 0.24(V)	0.24(H) x 0.24(V)
Viewing Angle	+70°~-70°(H), +55°~-70°(V)	+70°~-70°(H), +55°~-70°(V)
Display Colors	262K colors	262K colors
Response Time	50ms (Max)	50ms (Max)
Sync	LVDS	LVDS
Power Consumption	32W	37W
Inverter	LI 0812A	LI 0812A
Control Board (Optional)		AD5621GA (Standard)
F / R Control Button		Power Switch, Menu, Select (+,-), Auto
OSD Menu		Brightness, Contrast, H/V Position, Color, Phase, Clock...
Dimensions (WxHxD)	292.9x220x27.58mm	292.9x220x27.58mm
Weight	795g	895g
Optional	<input checked="" type="checkbox"/> AOT <input checked="" type="checkbox"/> Touch Screen	

Specifications are subject to change without notice. All brands or product names are trademarks or registered trademarks of their respective companies.

Control Board (Optional)	AD5621GA/AD5621GD/AD5766GDVA
<input checked="" type="checkbox"/> AD5621GA	VGA+Audio
<input checked="" type="checkbox"/> AD5621GD	VGA+DVI
<input checked="" type="checkbox"/> AD5766GDVA	VGA+CVBS+S-Video+Audio (Optional DVI / Component)
F / R Control Button	5 Key / 4 Key (Optional)
<input checked="" type="checkbox"/> 5 Key	Power Switch, Menu, Select (+,-), Auto
<input checked="" type="checkbox"/> 4 Key	Power Switch, Menu, Select (+,-)

ALF= Panel+Inverter

ALH= Panel+Inverter+Control Board

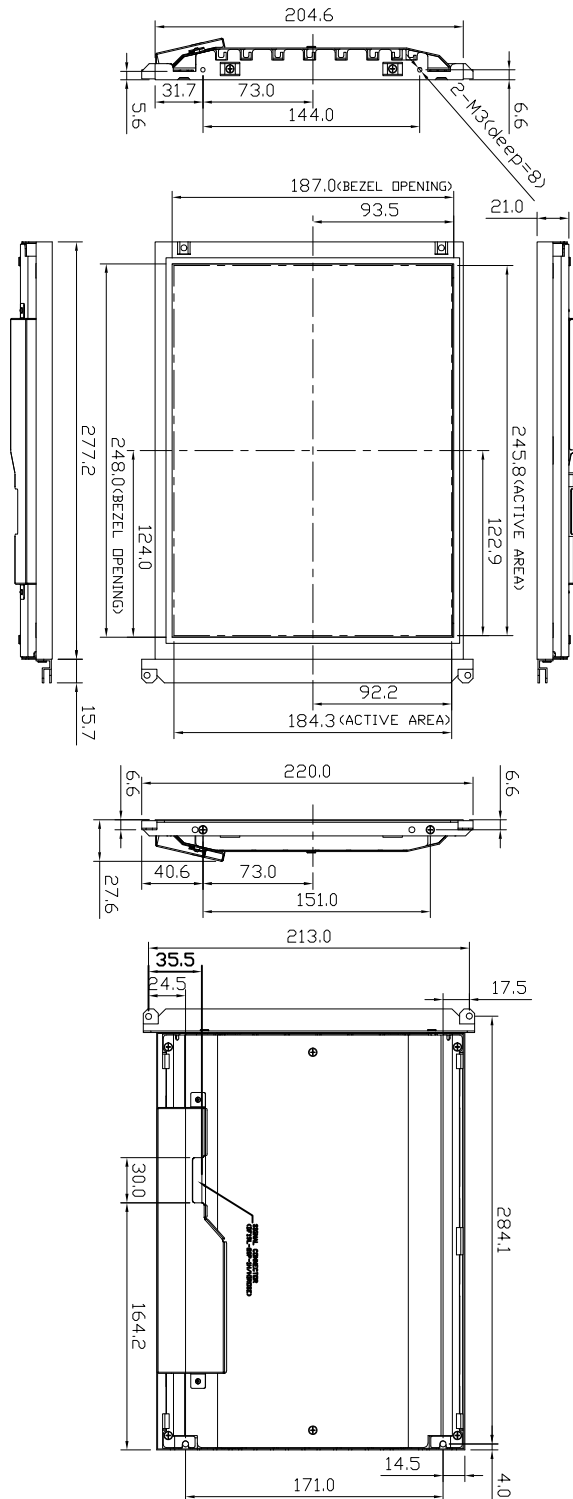


CCFL Specifications



ABT™

Outline Dimensions
unit:mm



Note :

- 1.Outline Tolerance : 0.5mm
- 2.Lamp Connector : JST BHR-03VS-1
- 3.Lamp Cable : U13239 AWG22 L=200±5mm



Enrich your visual world....