



SMD3202-MTU-K11

32" 3840 x 2160 Mobile Interactive full color Smart display

Litemax SMD3202-M is a versatile smart display that combines wireless freedom, mobility, touchscreen operation, and smart streaming capabilities. It is designed for users seeking flexible, digital signage and AI interactive applications in commercial environment.

Key Features

- Panel Size 32"
- High Resolution 3840 x 2160
- Build in powerful processor
- Wireless Design with Built-in Battery
- Multi-Angle Direction Adjustment
- Touchscreen Control
- Built-in Streaming & Smart Connectivity
- High-Quality Display and Audio
- External USB type camera



Specifications

Model Name	SMD3202-MTU-K11
Description	32" 3840 x 2160 Mobile Interactive full color Smart display
Screen Size	32"
Display Area (mm)	698.4 (H) x 392.85 (V)
Brightness	250 cd/m ²
Resolution	3840 x 2160
Aspect Ratio	16 : 9
Display Colors	16.7M
Contrast Ratio	3000 : 1
Main Board Processor	RK3588S2 Quad core cortex A55+Quad core cortex A76
Flash Memory	8GB
Storage Memory	128GB
Operation System	Android 13
I/O Interface	USB x2, HDMI x1
Wireless	WiFi
Video Format	MPEG-1, MPEG-2, MPEG-4, H.265, H.264, H.263, VC-1, VP8, VP9, MVC, AV1, etc., support up to 8K@60fps
Image Format	JPEG/PNG/GIF...
Audio Format	MP3/WMA/AAC/WAV/OGG...
Speaker	4Ω/5W*2
Microphone	Standard dual Microphone, Support noise reduction and echo cancellation
Camera	External USB type camera (vertical portrait, 8MP)
G-sensor	Support 90 degrees
Language	Multi-language
Battery Type	Li-ion of 21700 (6-8 hours)



Battery Back Capacity	14.6V/15000mAh
Power Input	DC 18V
Power Consumption	64 watts
Weight (Net)	19.3 Kgs
Mounting (mm)	100 x 100
Operating Temperature	0 °C ~ -40 °C
Storage Temperature	-20 °C ~ 60 °C

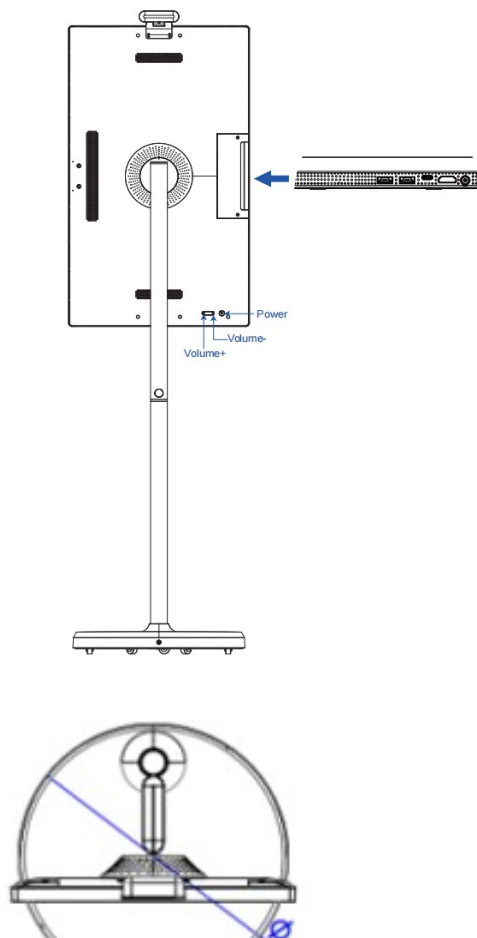
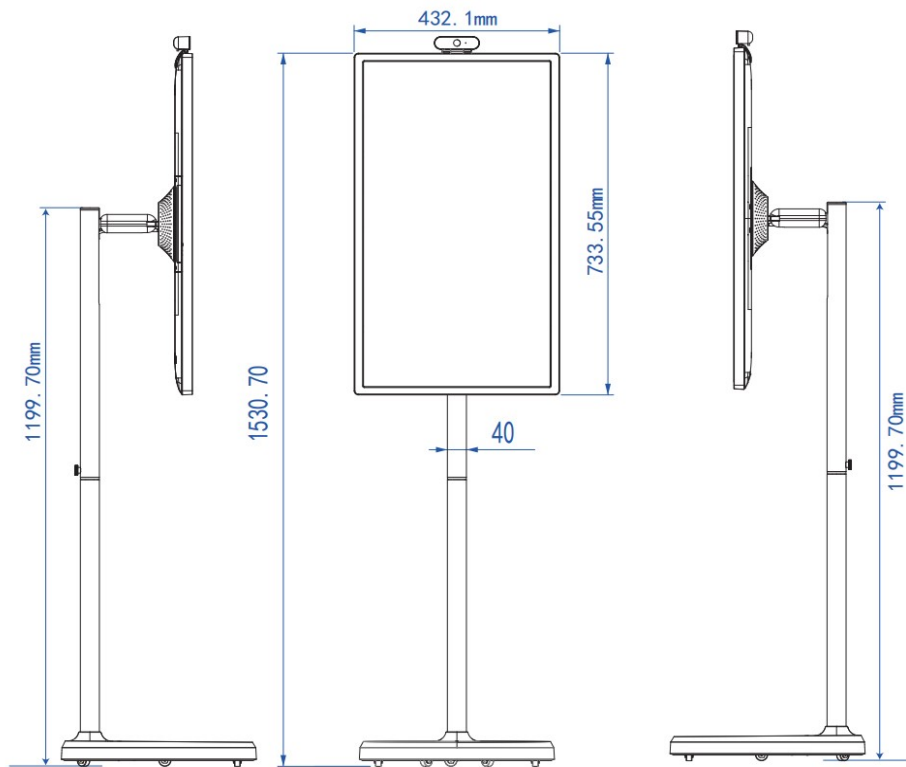
*Specifications are subject to change without notice.
All brands or product names are trademarks or registered trademarks of their respective companies.*

Mechanical Drawing

Outline Dimensions

Unit:mm







Ordering Information

Part Number	Description
SMD3202-MTU-K11	32" ,3840x2160, RK3588S2 Quad core cortex A55, Android13, RAM 8GB, Memory 128GB, WiFi, BT, USB, HDMI, DC18V, w/stand, V1

Optional Accessories

Part Number	Description
810618001005	CABLE,POWER,AC,3-Pin Plug,1800mm USA type
810618301070	CABLE,POWER,AC,3-Pin Plug,1830mm Europe type
810618301145	CABLE,POWER,AC,3-Pin Plug,1830mm Australia type
810618301191	CABLE,POWER,AC,3-Pin Plug,1830mm Japan type
810618301192	CABLE,POWER,AC,3-Pin Plug,1830mm UK type

Customer request

--	--