



## DLF/DLH2386-I 23.8" TFT LCD, 1200nits LED Backlight, 1920x1080

The DLF/DLH2386-I is a 23.8 inch industrial grade sunlight readable LCD, with high brightness 1200 nits, it produce sharp images, crisp text and lifelike colors. The Durapixel LED backlight technology ensures high reliability and low power consumption, suitable for outdoor application, kiosk, factory automation, military, transportation and gaming application.

### Key Features

- High Brightness 1200 nits
- Sunlight Readable
- LED Backlight
- Wide Viewing Angle
- BL MTBF: 100,000 hours



## Specifications

Model Name	DLF/DLH2386-I
Description	23.8" TFT LCD, 1200nits LED Backlight, 1920x1080
Screen Size	23.8"
Display Area (mm)	527.04(H) x 296.46(V)
Brightness	1200 cd/m <sup>2</sup>
Resolution	1920x1080
Aspect Ratio	16 : 9
Contrast Ratio	1000 : 1
Pixel Pitch (mm)	0.2745(H) x 0.2745(V)
Pixel Pre Inch (PPI)	92
Viewing Angle	178°(H),178°(V)
Color Saturation (NTSC)	82%
Display Colors	16.7M
Response Time (Typical)	14ms
Panel Interface	LVDS
Input Interface	VGA, DVI-D, HDMI
Input Power	DC12V
Power Consumption	30W, (with AD board 33W)
OSD Key	4 Keys (Power Switch, Menu, +, -)
OSD Control	Brightness, Color, Contrast, Auto Turing, H/V Position...etc
Dimensions (mm)	543(H) x 317.4(V) x 11.78 (T)
Bezel Size(U/B/L/R)	7.97/12.97/7.98/7.98 mm
Weight (Net)	2.5kg
Operating Temperature	0 °C ~50 °C
Storage Temperature	-20 °C ~ 60 °C

DLF= Panel + LED Driving Board

DLH= Panel + LED Driving Board + AD Control Board

*Specifications are subject to change without notice.*

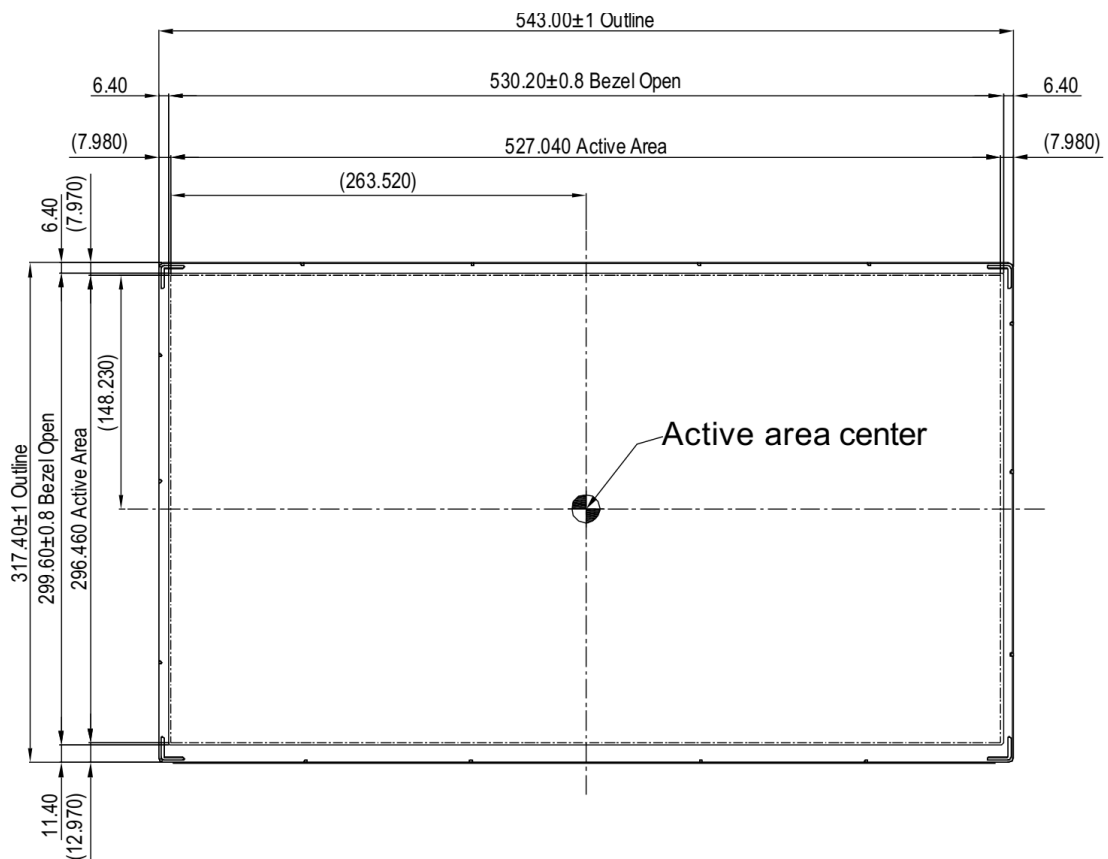
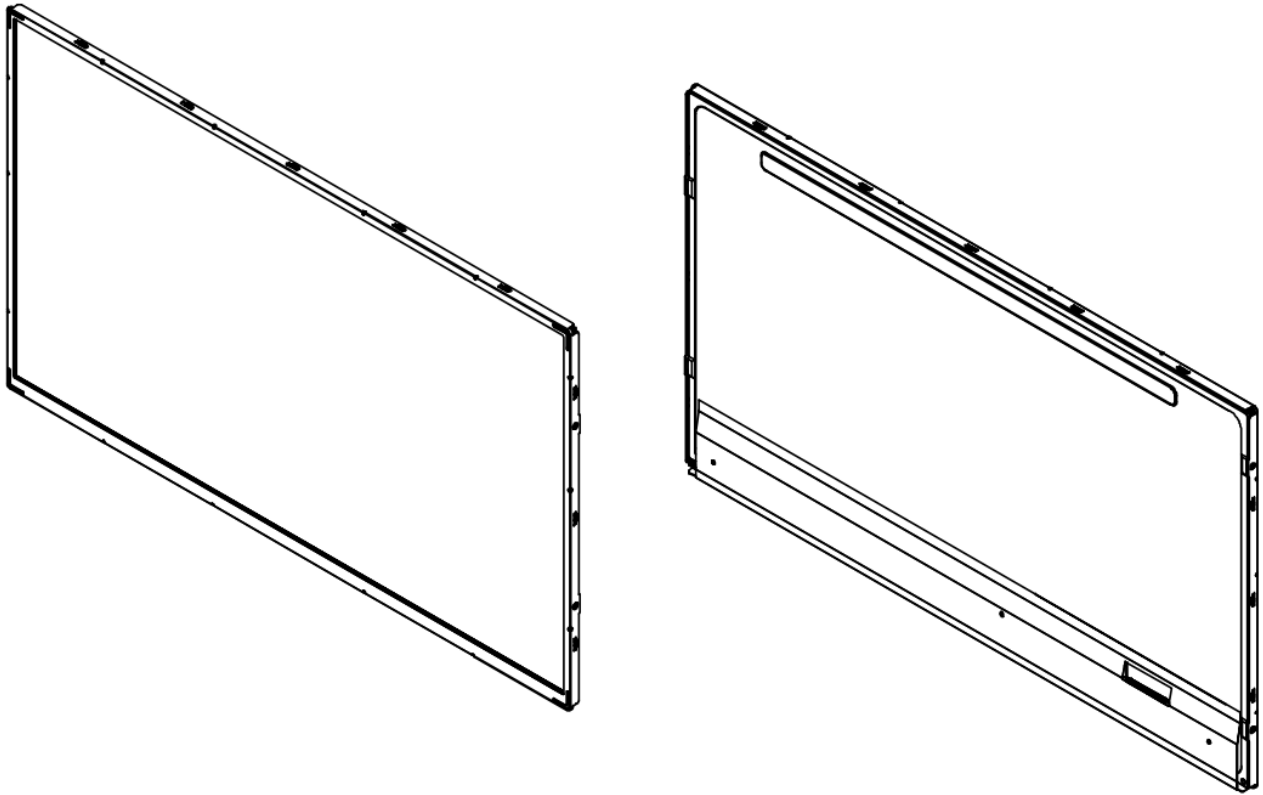
*All brands or product names are trademarks or registered trademarks of their respective companies.*

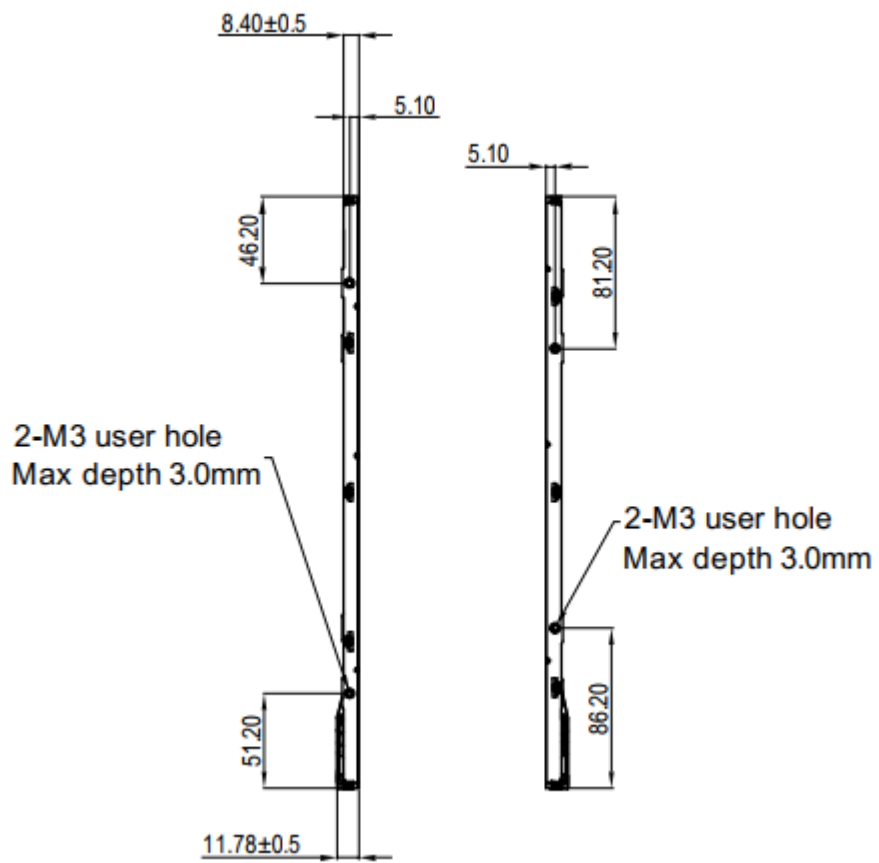


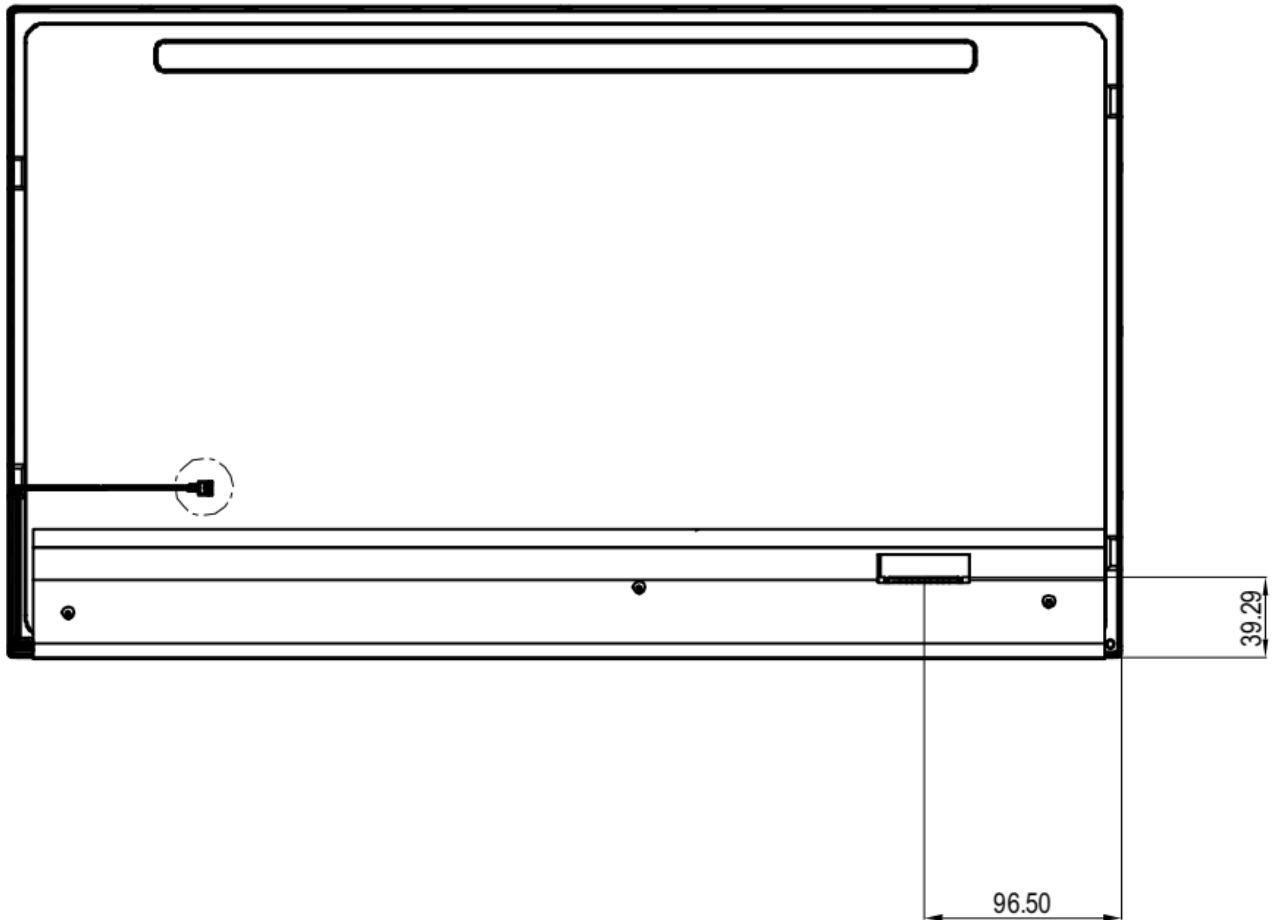
## Mechanical Drawing

### Outline Dimensions

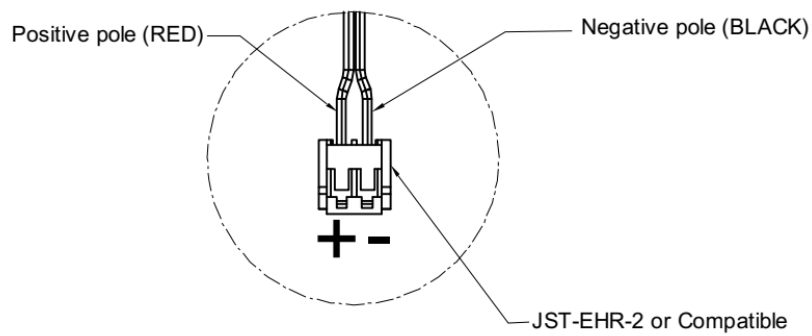
Unit:mm







### LED Connector



#### Note:

1. Resolution: 1920x 1080
2. LED B/L Connector : JST-EHR-2 Or Compatible
3. Tolerance is  $\pm 1.0\text{mm}$  unless noted
4. "( )" marks the reference dimension



### Ordering Information

Part Number	Description
<b>DLF2386-INN-A11</b>	23.8",1200nits,1920x1080,LID23C,5in1,V1
<b>DLH2386-INN-Q11</b>	23.8",1200nits,1920x1080,LID23C,AD8891GDH,DC12V,5in1,V1

### Optional Accessories

Part Number	Description
<b>840612051212</b>	ADAPTER,AC/DC,12V/5A,60W,Power-Din-4P,CWT.G99-ABF060F-N022.Efficiency-level-6,R
<b>810618301010</b>	CABLE,POWER,AC,1830mm USA type
<b>810618301090</b>	CABLE,POWER,AC,1830mm Europe type
<b>810618301050</b>	CABLE,POWER,AC,1830mm UK type
<b>810618301170</b>	CABLE,POWER,AC,1830mm Australia type
<b>810618301031</b>	CABLE,POWER,AC,1830mm Japan type

### Customer request

<b>Touch</b>	SCT (Single-Touch), PCT (Multi-Touch)
<b>Glass</b>	Tempered glass, AR coating.....