



DLF/DLH0848-A 8.4" TFT LCD, 1600 nits LED Backlight, 800x600

The DLF/DLH0848-A is a 8.4 inch industrial grade sunlight readable LCD, with high brightness 1600 nits, it produces sharp images, crisp text and lifelike colors. The Durapixel LED backlight technology ensures high reliability and low power consumption, suitable for outdoor application, kiosk, factory automation, military, transportation and gaming application.

Key Features

- High Brightness 1600 nits
- Sunlight Readable
- Wide Viewing Angle of 178°(H), 178°(V)
- Wide Temperature (-30~85°C)
- Low Power Consumption
- BL MTBF: 100,000 hours



Specifications

Model Name	DLF/DLH0848-A
Description	8.4" TFT LCD, 1600 nits LED Backlight, 800x600
Screen Size	8.4"
Display Area (mm)	170.4(H) x 127.8(V)
Brightness	1600 cd/m ²
Resolution	800x600
Aspect Ratio	4:3
Contrast Ratio	1300:1
Pixel Pitch (mm)	0.213(H) x 0.213(V)
Pixel Pre Inch (PPI)	119
Viewing Angle	178°(H),178°(V)
Color Saturation (NTSC)	44%
Display Colors	16.7M
Response Time (Typical)	25ms
Panel Interface	LVDS
Input Interface	VGA, DVI-D, HDMI
Input Power	DC12V
Power Consumption	3.1W (6.1W with AD Board)
OSD Key	4 Keys (Power Switch, Menu, +, -)
OSD Control	Brightness, Color, Contrast, Auto Tuning, H/V Position...etc
Dimensions (mm)	202.6(W) x 148.82(H) x 13.07(D)
Bezel Size(U/B/L/R)	10.52/10.5/19.97/12.75 mm
Weight (Net)	0.46kg
Operating Temperature	-30 °C ~ 85 °C
Storage Temperature	-30 °C ~ 85 °C

DLF= Panel + LED Driving Board

DLH= Panel + LED Driving Board + AD Control Board

Specifications are subject to change without notice.

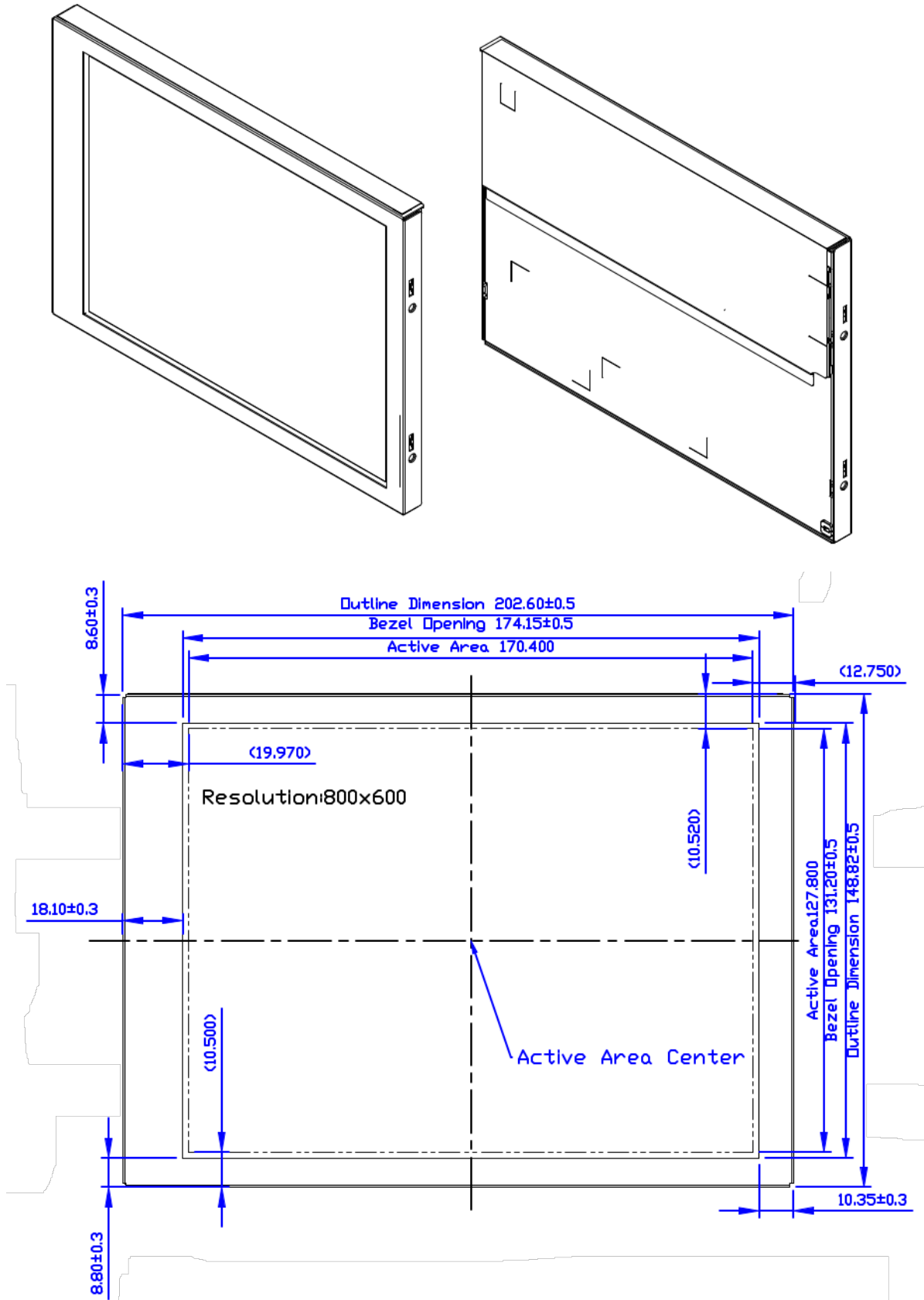
All brands or product names are trademarks or registered trademarks of their respective companies.

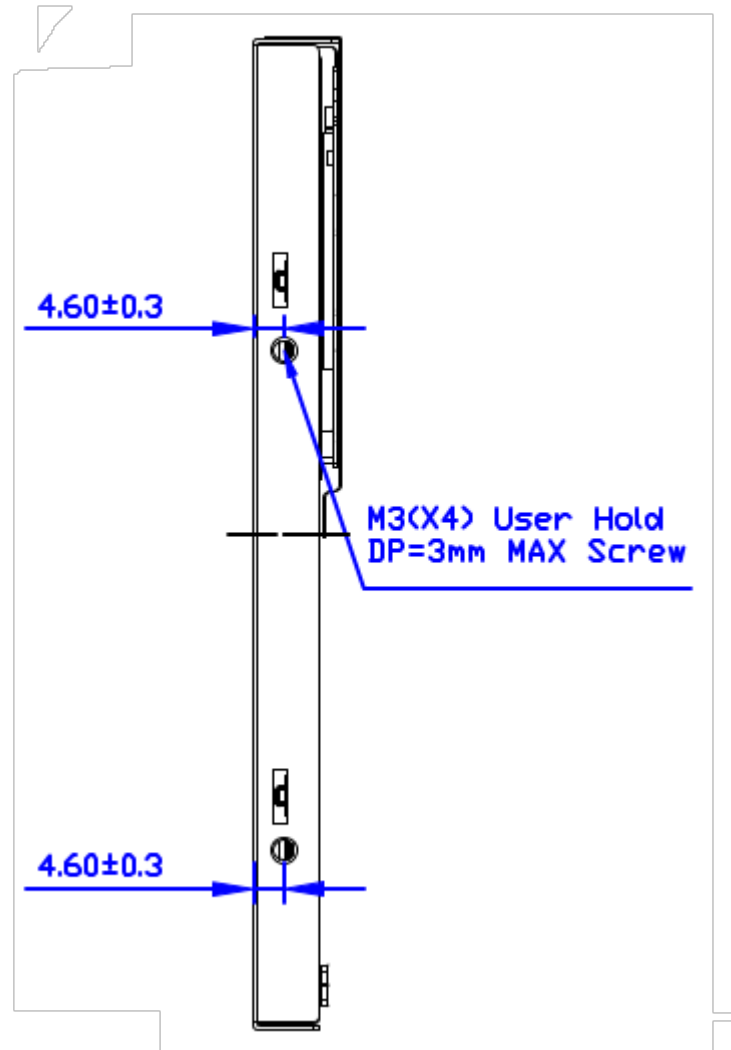
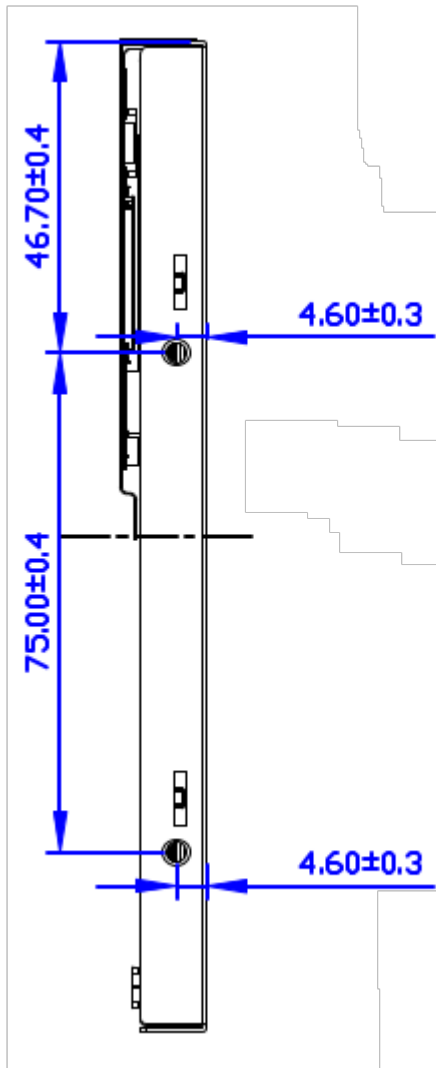
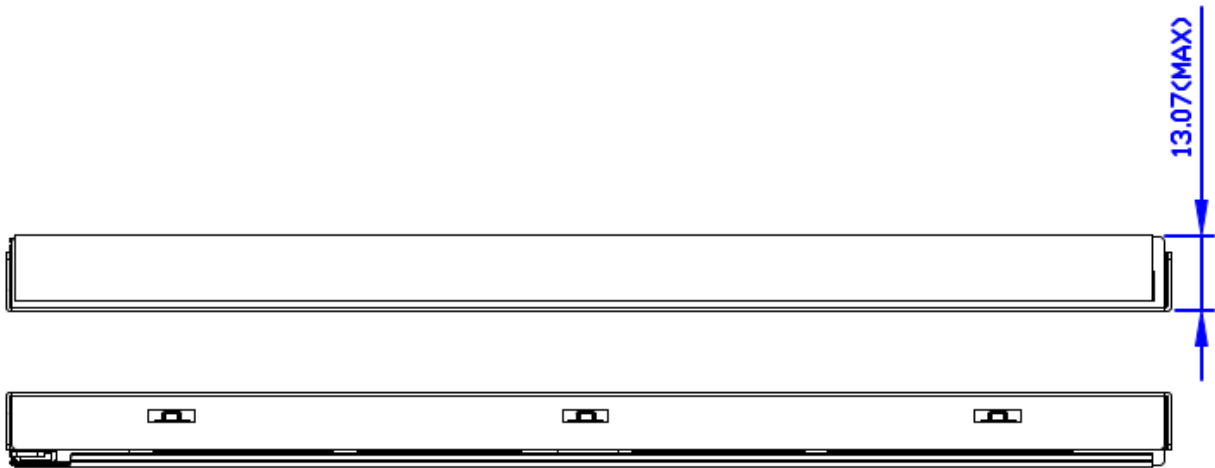


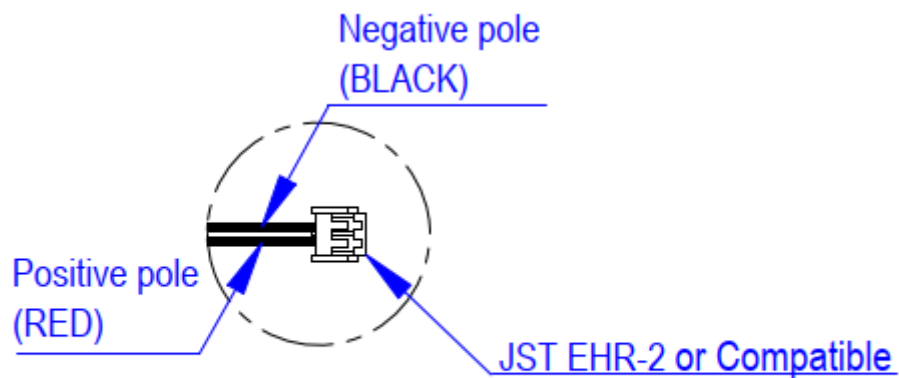
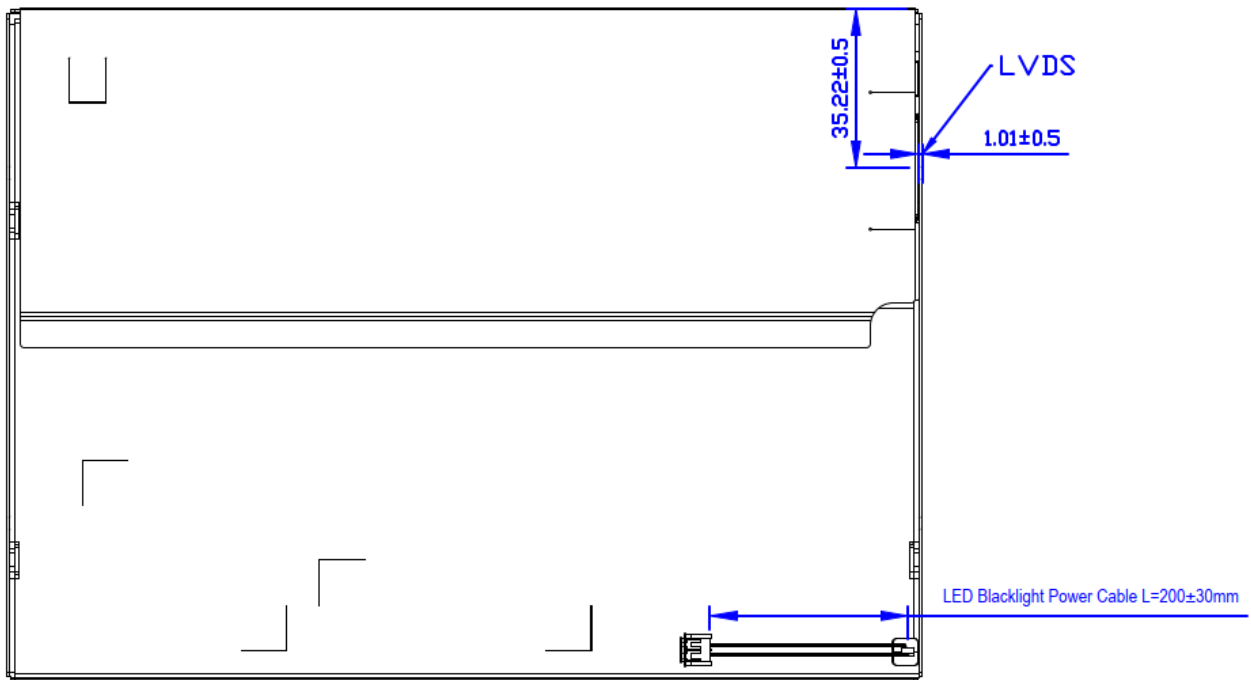
Mechanical Drawing

Outline Dimensions

Unit:mm







Connector View

Note :

1. THE DIMENSION EXCLUDES DEFORMATION.
2. LVDS CONNECTOR TO BE STM-MSB24013P20HA, Hirose-DF19LA-20P-1H OR COMPATIBLE
3. M3 USER HOLE SCREW TORQUE 5.0 kgf- cm MAX.



Ordering Information

Part Number	Description
DLF0848-ANN-A21	8.4",1600nits,800x600,T3085,LID08C,5in1,V2
DLH0848-ANN-Q21	8.4",1600nits,800x600,T3085,LID08C,AD8891GDH,DC12V,5in1,V2

Optional Accessories

Part Number	Description
840612051212	ADAPTER,AC/DC,12V/5A,60W,Power-Din-4P,CWT,G99-ABF060F-N022,Efficiency-level-6,R
810618301010	CABLE,POWER,AC,1830mm USA type
810618301090	CABLE,POWER,AC,1830mm Europe type
810618301050	CABLE,POWER,AC,1830mm UK type
810618301170	CABLE,POWER,AC,1830mm Australia type
810618301031	CABLE,POWER,AC,1830mm Japan type

Customer request

Touch	PCAP (Multi-Touch)
Glass	Tempered glass, AR coating.....