



DPD1333-BTE-T11

13.3" TFT LCD, 500 nits LED Backlight, 1920x1080, PCAP Touch, Eink Prism, Dual Display

The DPD1332-B is a 13.3 inches LCD, with high brightness 500 nits, it produced sharp images, crisp text and lifelike colors. High reliability and low power consumption, suitable for Gaming application.

Key Features

- Panel Size 13.3"
- Resolution 1920x1080
- Brightness 500 nits
- PCAP Multi-Touch
- Eink Prism (customize pattern)
6 colors: Black, White, Red, Green,
Blue & Yellow
- Low Power Consumption



Specifications

Model Name	DPD1333-BTE-T11
Description	13.3" TFT LCD, 500 nits LED Backlight, 1920x1080, PCAP Touch, Eink Prism, Dual Display
Screen Size	13.3"
Display Area (mm)	293.76(H) x 165.24(V)
Brightness	500 cd/m ²
Resolution	1920x1080
Aspect Ratio	16:9
Contrast Ratio	800 : 1
Pixel Pitch (mm)	0.153(H) x 0.153 (V)
Pixel Pre Inch (PPI)	166
Viewing Angle	170°(H),170°(V)
Color Saturation (NTSC)	50%
Display Colors	16.7M
Response Time (Typical)	30ms
Panel Interface	HDMI, Display Port
Panel Input Power	DC12V
Touch PCAP	10 points
Power Consumption	6W
Dimensions (mm)	617x 240.5 x 37.6
Weight (Net)	4kg
Operating Temperature	0 °C ~ 50 °C
Storage Temperature	-20 °C ~ 60 °C

DPD = Panel + PCAP Touch + Eink Prism + LED Driving Board + AD board + Chassis

Specifications are subject to change without notice.

All brands or product names are trademarks or registered trademarks of their respective companies.



Mechanical Drawing

Outline Dimensions

Unit:mm



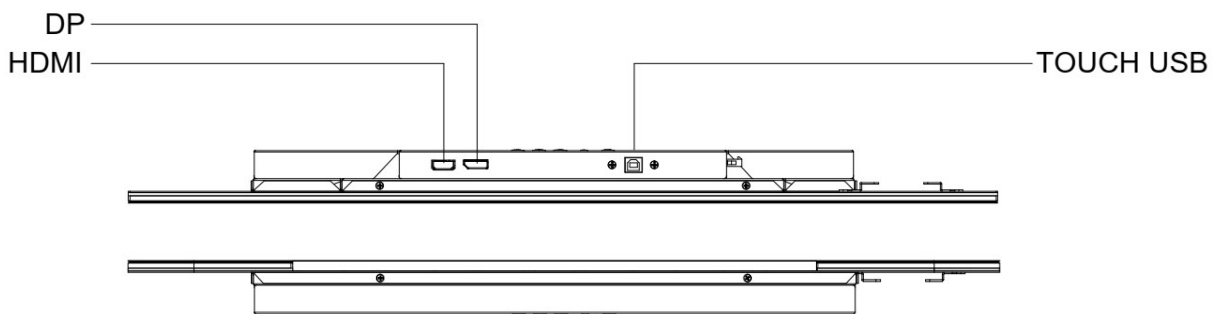
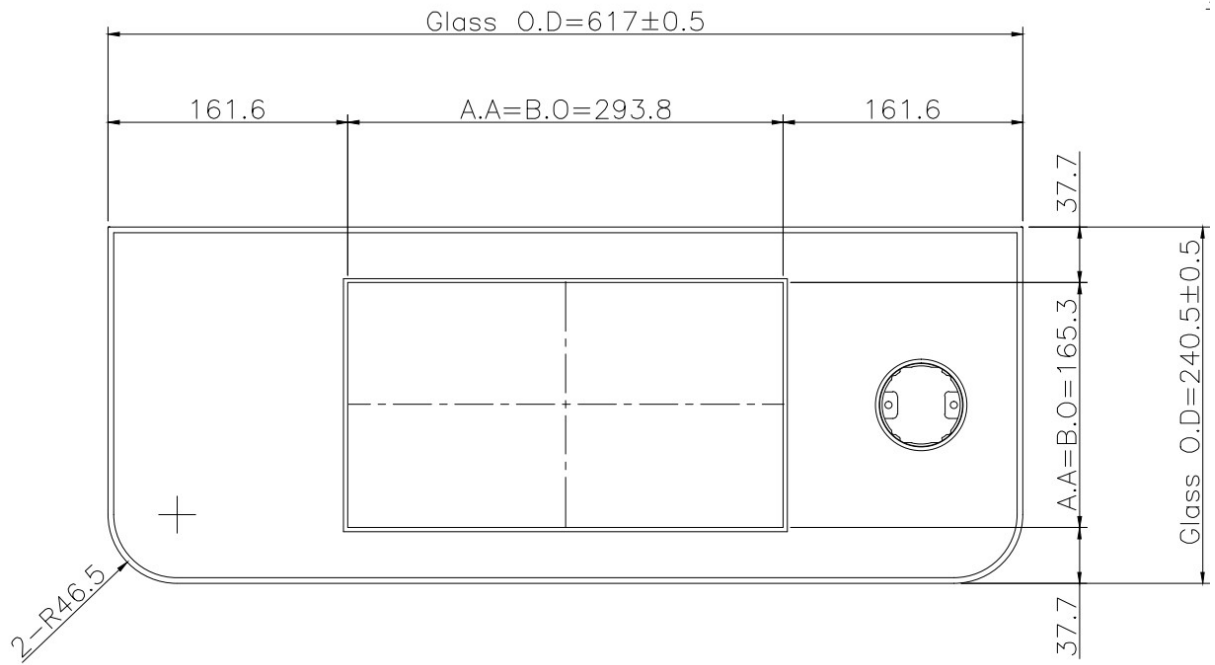
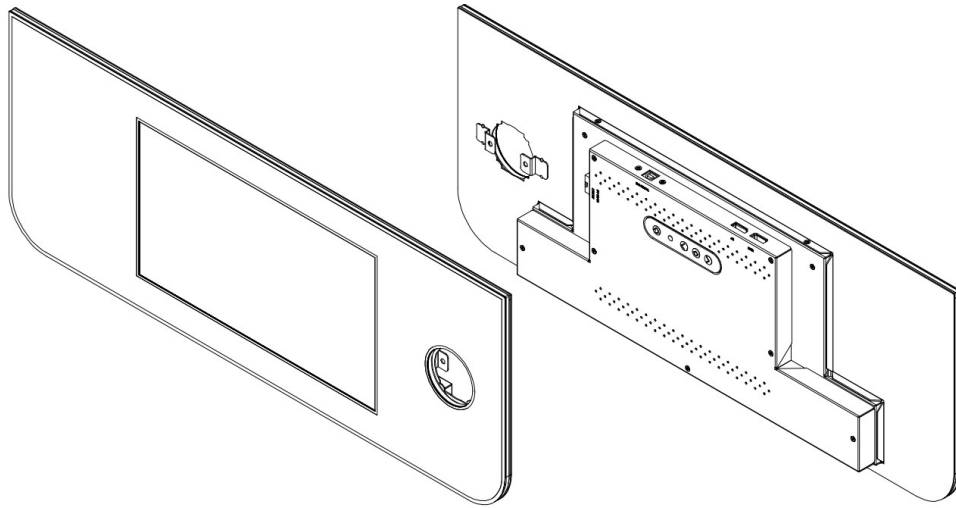
DC12V
input

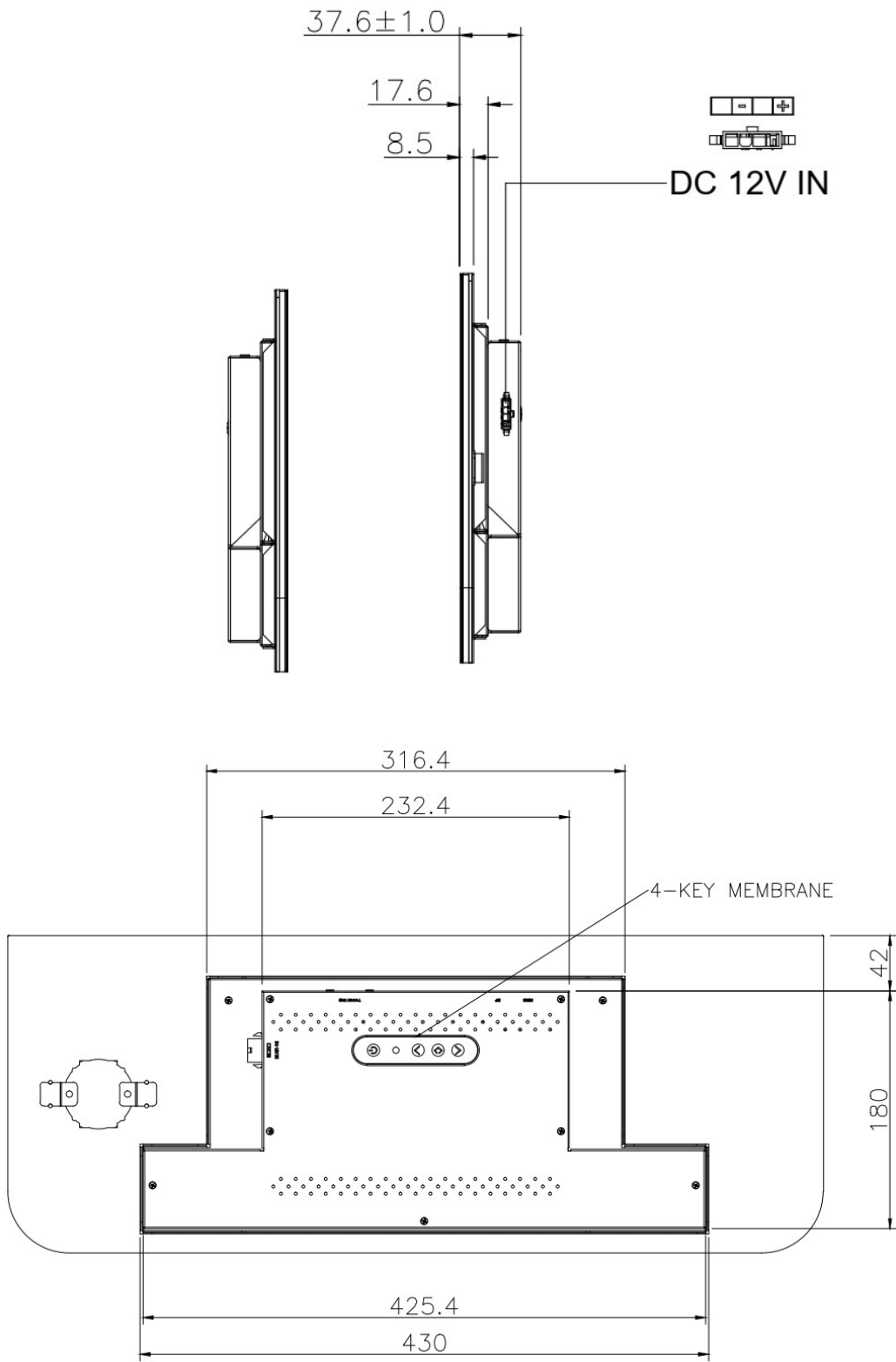


HDMI
input

DP
input

USB-B
Touch







Ordering Information

Part Number	Description
DPD1333-BTE-T11	13.3",500nits,1920x1080,LID on LCM,PCAP,button hole,Eink Prism, AD68862HP,O/B,DC12V,5in1,V1

Customer request
