



## ELD1019-R 10" Cholesterol Liquid Crystal Display (ChLCD), 1024x768

The ELD1019-R is a 10 inch industrial grade reflective Cholesterol Liquid Crystal Display, The product is using the Bi-stable of the Cholesterol Liquid Crystal. This panel Support 1024x768 resolution and 16.7M colors. ECOgreenpixel technology ensures high reliability and low power consumption, suitable for outdoor and transportation application.

### Key Features

- Bi-Stable Display
- Reflective Ratio 29%
- Refresh time 1.7 Sec
- Protection cover glass
- Low Power Consumption
- Build in powerful processor



### Specifications

Model Name	ELD1019-R
Description	10" Reflective ChLCD, Bi-Stable, 1024x768
Screen Size	10"
Display Area (mm)	203.37(H) x 152.52(V)
Reflective Ratio	29%
Resolution	1024x768
Aspect Ratio	4 : 3
Contrast Ratio	5.5 : 1
Pixel Pitch (mm)	0.1986(H) x 0.1986(V)
Pixel Pre Inch (PPI)	128
Viewing Angle	140°(H),140°(V)
Color Saturation (NTSC)	17%
Display Colors	16.7M
Refresh Time (Typical)	1.7 Sec
Main Board Processor	Quad-core Cortex-A55
Operation System	Android 11
Flash Memory	4GB(Optional)
Storage Memory	16GB(Optional)
Input Interface	USB2.0
Display Interface Output	HDMI
Input Power	DC5V
Power Consumption	5.3W (Standby 2.8W)
Dimensions (mm)	252.16 x 201.32 x 30.72
Bezel Size(U/B/L/R)	24.4/24.4/24.4/24.4 mm
Weight (Net)	9.5kg
Mounting	100x75
Operating Temperature	-20 °C ~70 °C
Storage Temperature	-20 °C ~ 70 °C

Specifications are subject to change without notice.

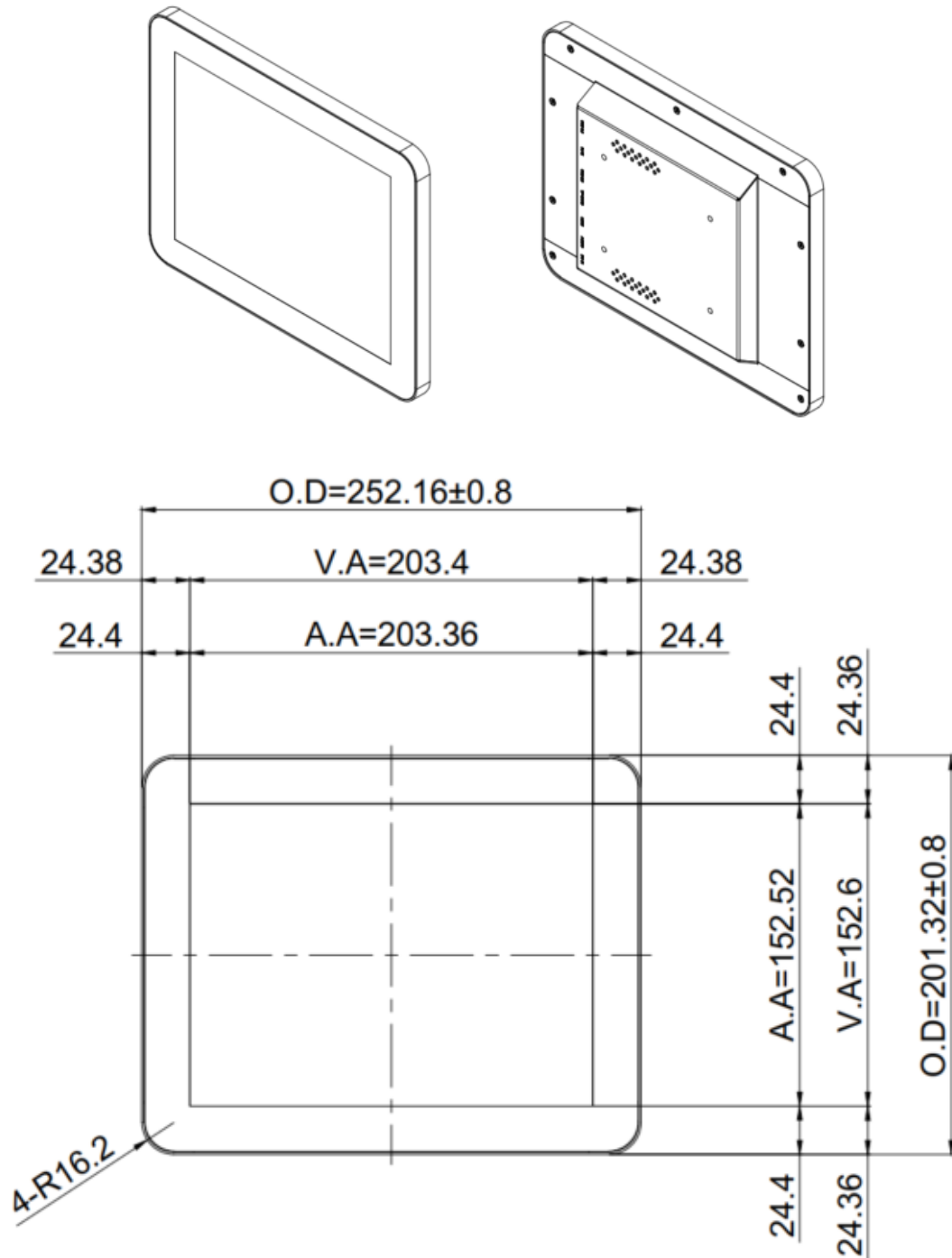
All brands or product names are trademarks or registered trademarks of their respective companies.

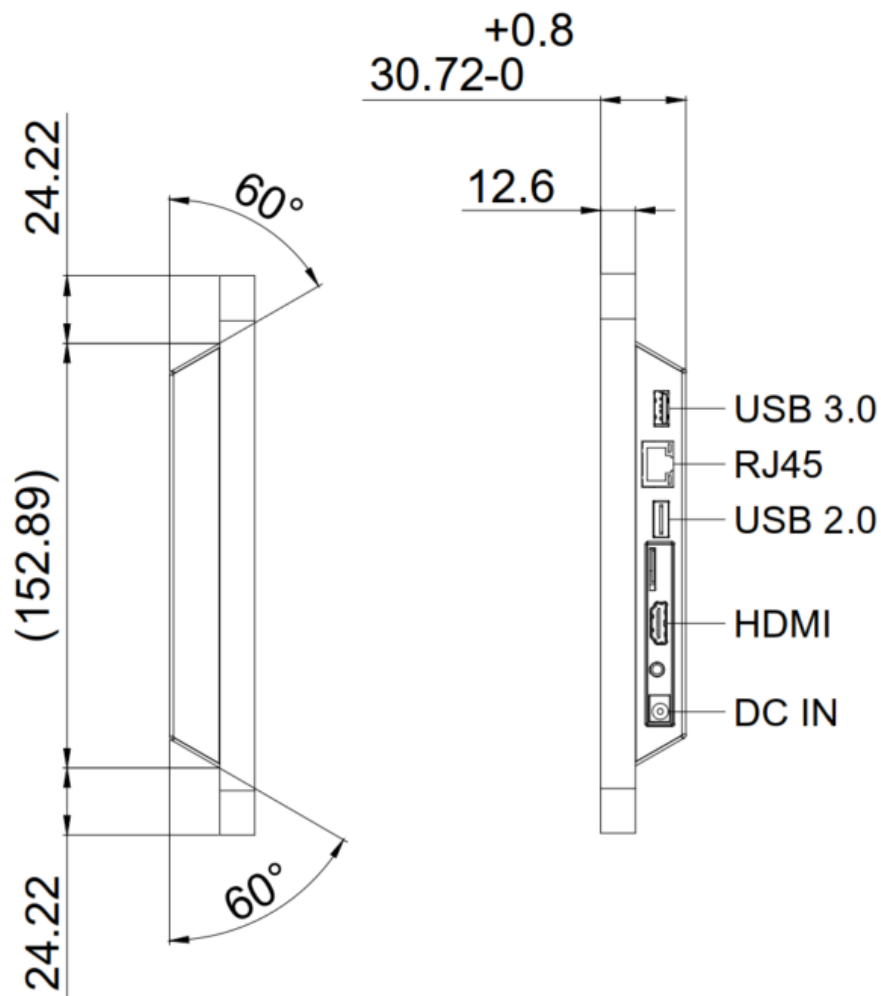
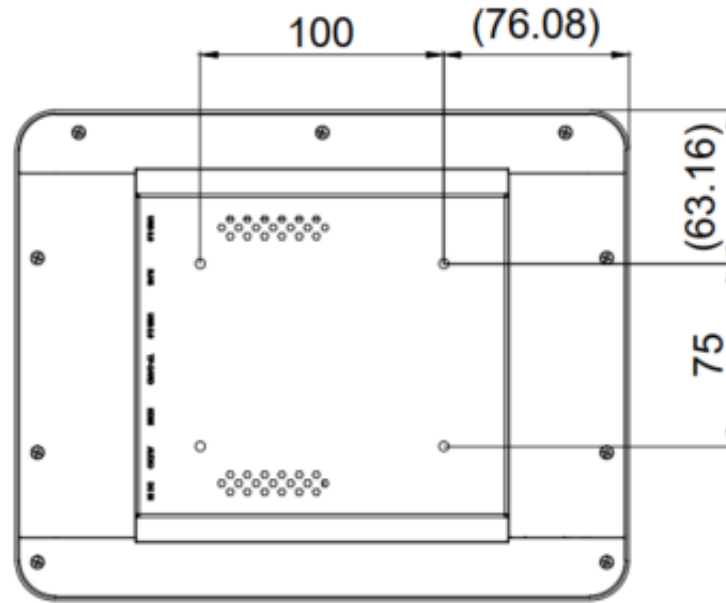


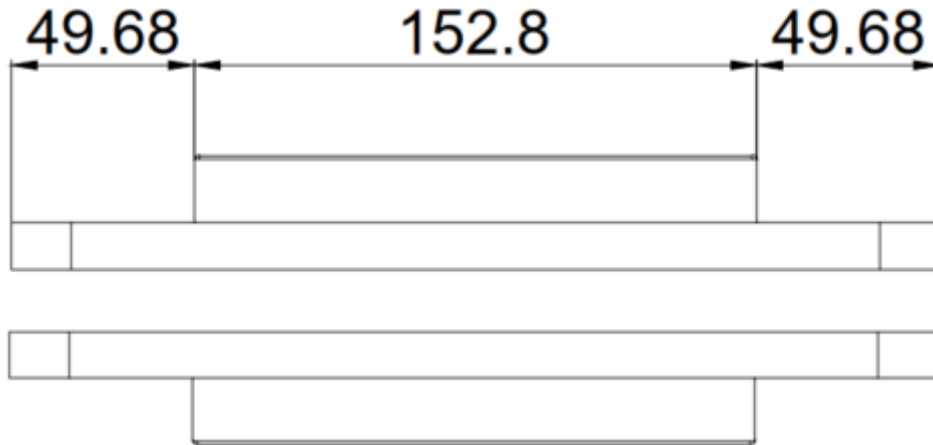
## Mechanical Drawing

### Outline Dimensions

Unit:mm







Note:  
 O.D. : OUTLINE DIMENSION  
 V.A. : VIEW AREA  
 A.A. : ACTIVE AREA

### Ordering Information

Part Number	Description
<b>ELD1019-RGN-K11</b>	10.1" Reflective True color ChLCD,1920x1080,T2070,RK3566 Quad-Core Cortex-A55, Android 11 OS, 2G DDR4 / 16G EMMC,DC5V,3in1,V1

### Optional Accessories

Part Number	Description
<b>810618301010</b>	CABLE,POWER,AC,1830mm USA type
<b>810618301090</b>	CABLE,POWER,AC,1830mm Europe type
<b>810618301050</b>	CABLE,POWER,AC,1830mm UK type
<b>810618301170</b>	CABLE,POWER,AC,1830mm Australia type
<b>810618301031</b>	CABLE,POWER,AC,1830mm Japan type

### Customer request

<b>Touch</b>	PCT (Multi-Touch)
<b>Glass</b>	Tempered glass, AR coating.....
<b>Wireless</b>	WiFi5 (2.4G+5.8G)
<b>Ethernet</b>	GIGA Ethernet