



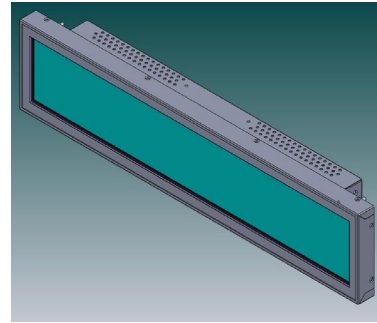
SSD1623

16.3" Resizing LCD, Brightness 400 nits, LED backlight, 1366x238 ultra wide aspect ratio 16:2.8

SSD1623 is an innovative ultra-wide, LED backlight LCD display. It provides LCD panel with specific ratios for digital signage, public transportation, exhibition hall, department store, vending machine and industrial applications.

Key Features

- Resizing LCD
- Ultra Wide Screen (16 : 2.8)
- LED Backlight
- Brightness 400nits
- Low Power Consumption
- High Uniformity
- Wide Dimming



Specifications

V1

Model No.	SSD1623
Description	16.3" Resizing LCD Module, 400nits, LED backlight, 1366x238
Display Area	409.8x71.4 mm
Brightness	400nits
Resolution	1366 x 238
Aspect Ratio	16 : 2.8
Contrast Ratio	1000:1
Pixel Pitch (mm)	0.3 x 0.3
Viewing Angle	170°(H), 160°(V)
Display Colors	16.7M
Response Time (Typical)	5 ms
Power Consumption	10W
Dimensions (mm)	436.3x100.2x47.1mm
Weight (Net)	1.8Kg
Multi-touch support (Optional)	10-point
LED Driving Board	LID16B
Control Board (Optional)	<input type="checkbox"/> AD2662GDHMVAR
<input type="checkbox"/> AD2662GM	VGA
<input type="checkbox"/> AD2662GDHMVAR	VGA (Optional DVI/ HDMI/ AV/ S-Video/ Component / Audio/ RS232)
F / R Control Button	<input type="checkbox"/> 4 Key
<input type="checkbox"/> 4 Key	Power Switch, Menu, Select (+,-),
OSD Menu	Brightness, Contrast, H/V Position, Color, Phase, Clock...
Optional	<input type="checkbox"/> AOT <input type="checkbox"/> Touch Screen

Specifications are subject to change without notice.

All brands or product names are trademarks or registered trademarks of their respective companies.

SSD = Panel + LED Driving Board + Control Board + Housing



Ordering Information

Part Number	Description
SSD1623-ETB-G01	16.3",400nits,1366*238,T/PCT-USB(Transparency:90%),LID16B,AD2662GDM,O/B,DC 12V input,V01

Optional Accessories

Part Number	Description
840612051210	ADAPTER,AC/DC,12V/5.4A,65W,Atech OEM A065112-TDx.4P SLIDING CAP,P
810618301010	CABLE.POWER.AC.1830mm USA type
810618301090	CABLE.POWER.AC,1830mm Europe type
810618301050	CABLE.POWER.AC.1830mm UK type
810618301170	CABLE.POWER.AC,1830mm Australia type
810618301030	CABLE.POWER.AC.1830mm Japan type