



## SSF/SSH8604-M

### 86" Resizing LCD, 700 nits LED backlight, 3840 x 600 ultra-wide aspect ratio 16:2.5

The **SSF/SSH8604-M** is a 86 inch color TFT-LCD display with special aspect ratio **16:2.5** and wide resolution **3840 x 600**. It is Litemax's Spanpixel series product which designed for high brightness **700 nits** with power efficiency LED backlight. It provides LCD panel with specific aspect ratios and sunlight readable for digital signage, public transportation, exhibition hall, department store, and vending machine.

#### Key Features

- Resizing LCD
- Ultra-Wide Screen (16:2.5)
- High Brightness 700 nits
- LED Backlight
- BL MTBF: 30,000 hours



### Specifications

Model Name	SSF/SSH8604-M
Description	86" Resizing LCD, 700 nits LED backlight, 3840x600, Ultra-Wide Screen
Screen Size	86"
Display Area (mm)	2158.85(H) x 337.32(V)
Brightness	700 cd/m <sup>2</sup>
Resolution	3840x600
Aspect Ratio	16:2.5
Contrast Ratio	1200:1
Pixel Pitch (mm)	0.5622(H) x 0.5622(V)
Pixel Per Inch (PPI)	45
Viewing Angle	178°(H), 178°(V)
Color Saturation (NTSC)	82%
Display Colors	1.07G
Response Time (Typical)	8ms
Panel Interface	V-by-One
Input Interface	HDMI, DP
Input Power	AC100-240V
Power Consumption	148W (151W with AD board)
OSD Key	5 Keys (Power Switch, Menu, +, -, Exit)
OSD Control	Brightness, Color, Contrast, Auto Tuning, H/V Position...etc
Dimensions (mm)	2188.50(W) x 372.20(H) x 43.80(D)
Bezel Size(U/B/L/R)	17.94/16.94/14.83/14.83 mm
Weight (Net)	22Kg
Operating Temperature	0 °C ~ 50 °C
Storage Temperature	-20 °C ~ 60 °C

**SSF**= Panel + LED Driving Board

**SSH**= Panel + LED Driving Board + AD Control Board

*Specifications are subject to change without notice.*

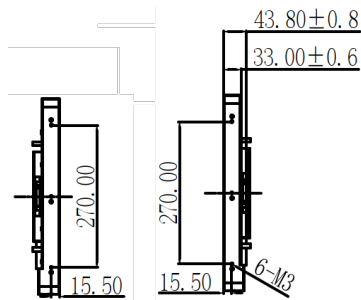
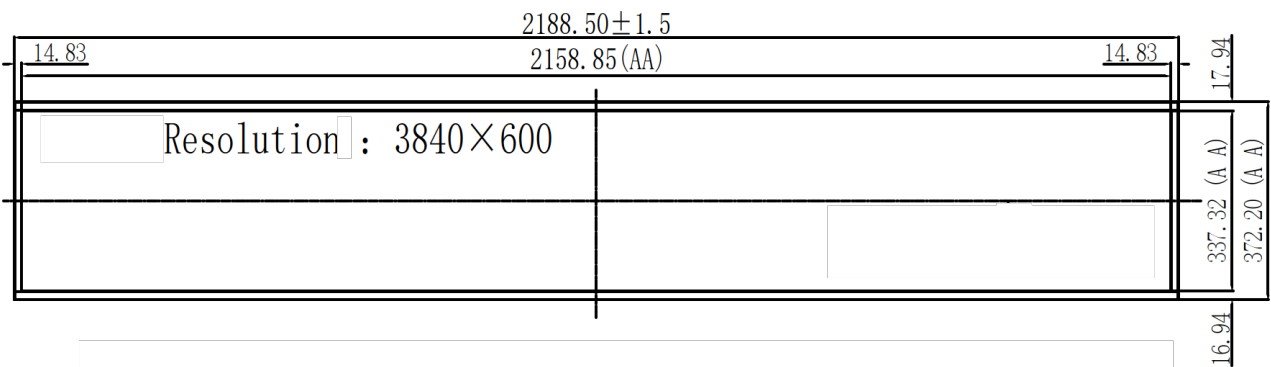
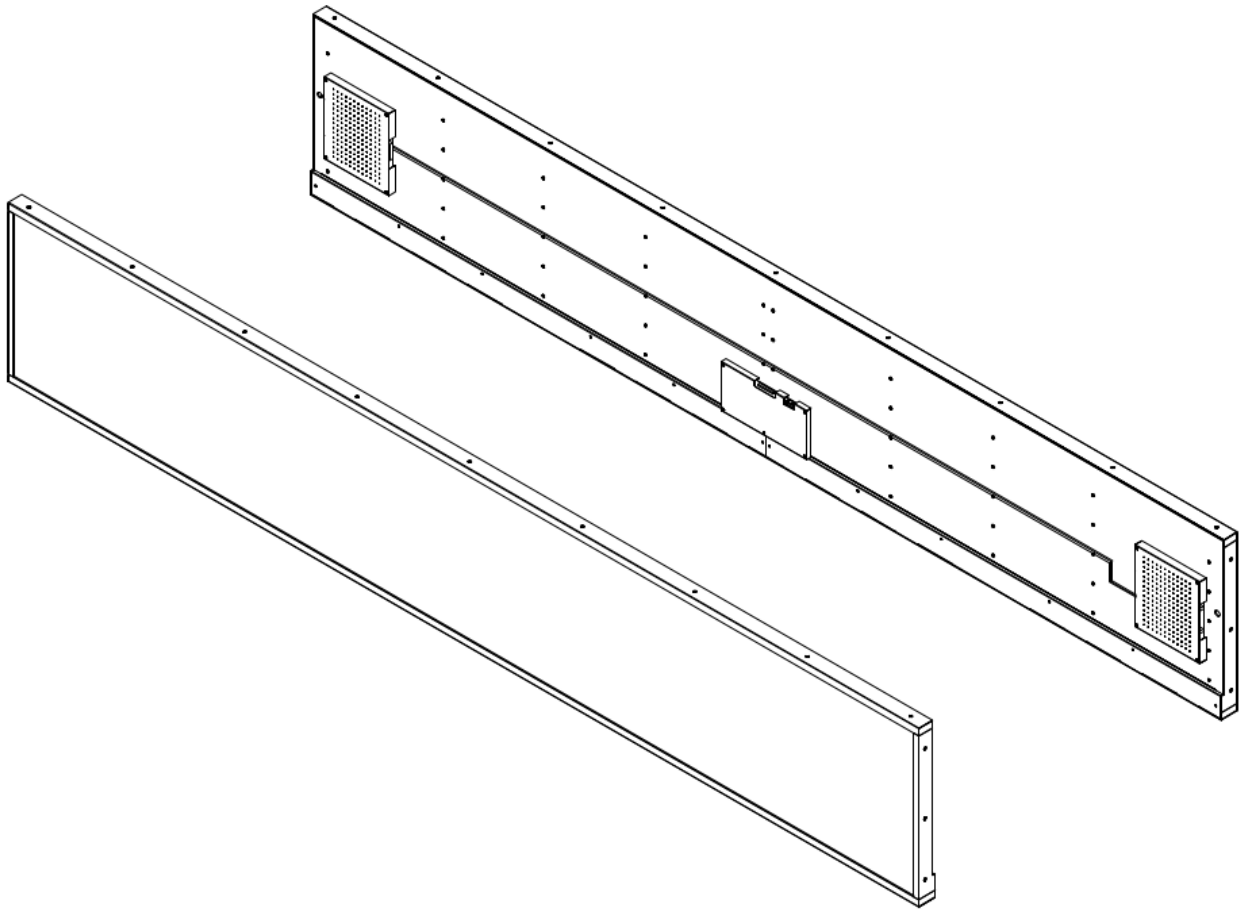
*All brands or product names are trademarks or registered trademarks of their respective companies.*

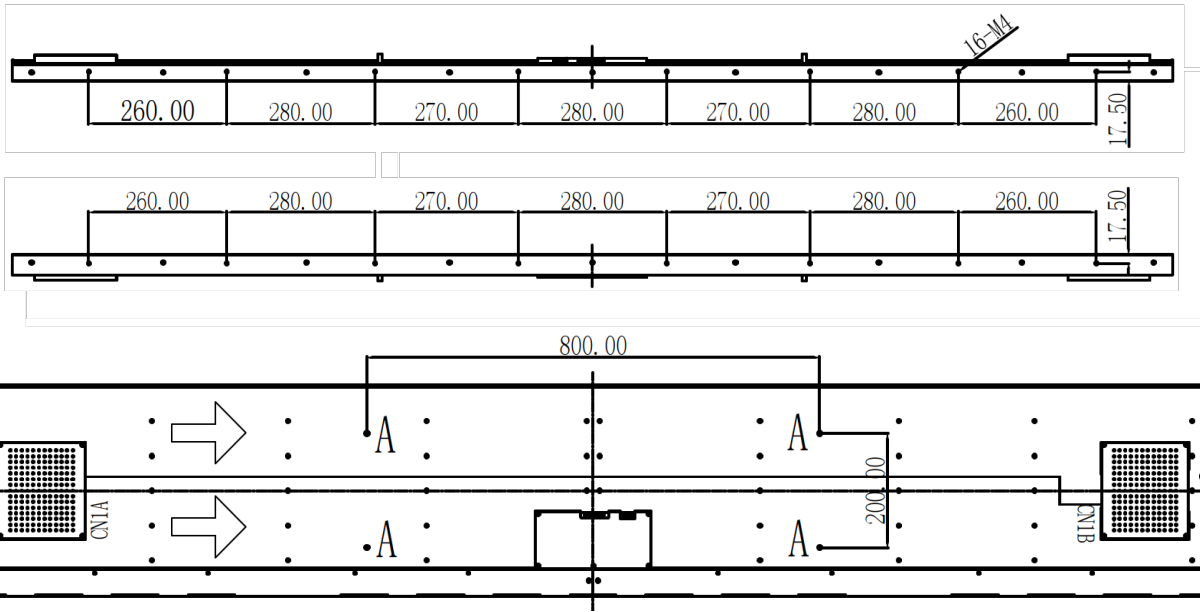


## Mechanical Drawing

Outline Dimensions

Unit: mm





Note: "A" BSO-M4x20 and BOSS 4pcs

### Ordering Information

Part Number	Description
SSF8604-MNU-A11	86",700nits,3840x600,T0050,LID on LCM,V1
SSH8604-MNU-D11	86",700nits,3840x600,T0050,LID on LCM,AD9800HP,AC100-240V,V1

### Optional Accessories

Part Number	Description
810618301010	CABLE,POWER,AC,1830mm USA type
810618301090	CABLE,POWER,AC,1830mm Europe type
810618301050	CABLE,POWER,AC,1830mm UK type
810618301170	CABLE,POWER,AC,1830mm Australia type
810618301031	CABLE,POWER,AC,1830mm Japan type

### By Customer Request

Glass	Tempered glass, AR coating.....
-------	---------------------------------