



IPPD-1563-ADB0-ZN00-0000

15.6" TFT LCD, 500nits LED Backlight, 1920 X 1080

The IPPD-1563-ADB0 is a 15.6 inch industrial grade LCD, with brightness 500 nits, it produces sharp images, crisp text and lifelike colors. The Ubipixel LED backlight technology ensures high reliability and low power consumption, suitable for indoor application, kiosk, factory automation, military, transportation and gaming application.

Key Features

- Projected capacitive touch
- Brightness 500nits
- Resolutions: 1920 x 1080
- LED Backlight
- Aspect ratio of 16:9
- Low power consumption
- BL MTBF: 100,000 hours



Specifications

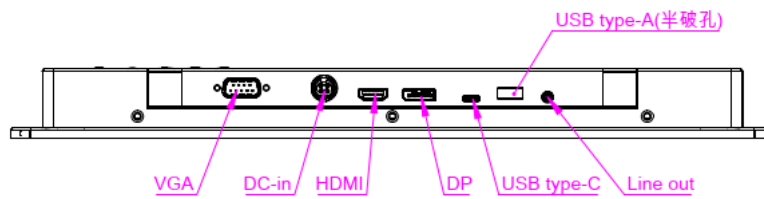
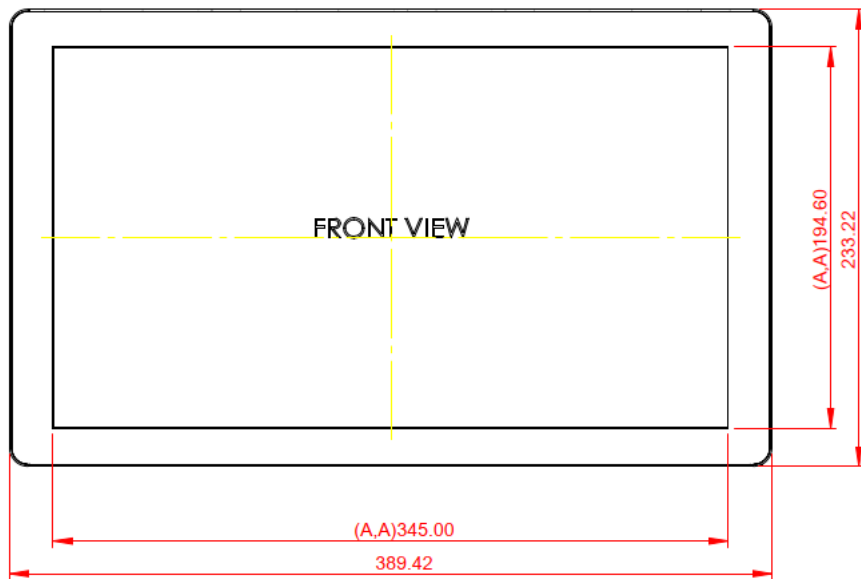
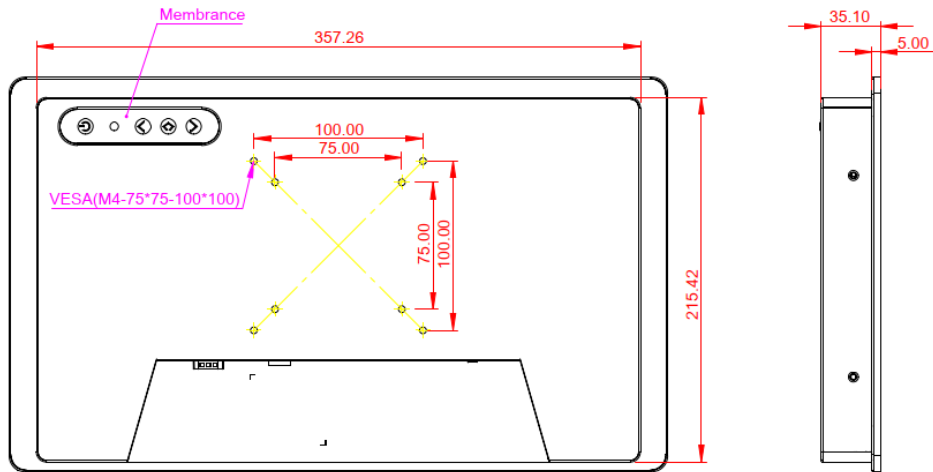
Model Name	IPPD-1563-ADB0-ZN00-0000
Description	15.6",500nits,1920x1080,T2070,LID on LCM, PCAP(T=85%), ADB0, 1HDMI/1DP/1VGA/1USB Type-C/1USBType-A/1Audio, DC(12V/24V)/USB-C PD 100W
Screen Size	15.6"
Display Area (mm)	344.16(H) x 193.59(V)
Brightness	500 cd/m ²
Resolution	1920 x 1080
Aspect Ratio	16:9
Contrast Ratio	1000:1
Pixel Pitch (mm)	0.17925(H) x 0.17925 (V)
Pixel Pre Inch (PPI)	141
Viewing Angle	178°(H),178°(V)
Color Saturation (NTSC)	72%
Display Colors	16.2M
Response Time (Typical)	25 ms
Panel Interface	eDP
Input Interface	VGA, HDMI, DP, USB Type-C
Touch Interface	USB
Input Power	DC12V
Power Consumption	20W
OSD Key	4 Keys (Power Switch, Menu, +, -)
OSD Control	Brightness, Color, Contrast, Auto Tuning, H/V Position...etc
Dimensions (mm)	389.42 x 233.22 x 35.10
Weight (Net)	2.9 Kg
Gross weight	3.7 Kg
Packing Size (W/H/D)	494mm x 404mm x 168mm
Mounting	75x75, 100x100
Operating Temperature	-10 °C ~ 60 °C
Storage Temperature	-20 °C ~ 70 °C
Storage Humidity	5~95%RH



Mechanical Drawing

Outline Dimensions

Unit:mm





Ordering Information

Part Number	Description
IPPD-1563-ADB0-ZN00-0000	15.6",500nits,1920x1080,T2070,LID on LCM, PCAP(T=85%), ADB0, 1HDMI/1DP/1VGA/1USB Type-C/1USBType-A/1Audio, DC(12V/24V)/USB-C PD 100W

Optional Accessories

Part Number	Description
810618301010	CABLE,POWER,AC,1830mm USA type
810618301090	CABLE,POWER,AC,1830mm Europe type
810618301050	CABLE,POWER.AC,1830mm UK type
810618301170	CABLE,POWER,AC,1830mm Australia type
810618301031	CABLE,POWER,AC,1830mm Japan type