



IPPD-1858-ADB0-ZP00-0000

18.5" TFT LCD, LED Backlight 1600nits, FHD(1920x1080)

The IPPD-1858-ADB0 is a 18.5 inch industrial grade sunlight readable LCD, with high brightness 1600 nits and high color saturation, it produce sharp images, crisp text and lifelike colors. The Durapixel LED backlight technology ensures high reliability and low power consumption, suitable for outdoor application, kiosk, factory automation, military, transportation and gaming application.

Key Features

- High Brightness 1600 nits
- Sunlight Readable
- Wide Viewing Angle of 176°(H), 176°(V)
- Wide Temperature (-20°C~70°C)
- With PCAP touch, OCA bonding
- Low Power Consumption
- BL MTBF: 100,000 hours



Specifications

Model Name	IPPD-1858-ADB0-ZP00-0000
Description	18.5",1600nits,1920x1080,T2070, PCAP(85%), LID18C, OCA, Front IP44 ,AEXP-ADB0-2556, 1HDMI/1DP/1USB Type-C/1USBType-A/1Audio, DC 12V
Screen Size	18.5"
Display Area (mm)	408.9(H) x 230(V)
Brightness	1600 cd/m ²
Resolution	1920x1080
Aspect Ratio	16 : 9
Contrast Ratio	1120 : 1
Pixel Pitch (mm)	0.213(H) x 0.213(V)
Pixel Pre Inch (PPI)	119
Viewing Angle	176°(H),176°(V)
Color Saturation (NTSC)	85%
Display Colors	16.7M
Response Time (Typical)	25ms
Panel Interface	LVDS
Input Interface	HDMI, DP, USB Type-C
Touch Interface	USB
Input Power	DC12V
Power Consumption	40W (Reference)
OSD Key	4 Keys (Power Switch, Menu, +, -)
OSD Control	Brightness, Color, Contrast, Auto Turing, H/V Position...etc
Dimensions (mm)	461mm x 281.64mm x 29.8mm
Weight (Net)	3.6 Kg
Mounting	75x75, 100x100
Operating Temperature	0 °C ~ 60 °C
Storage Temperature	-30 °C ~ 80 °C

Specifications are subject to change without notice.

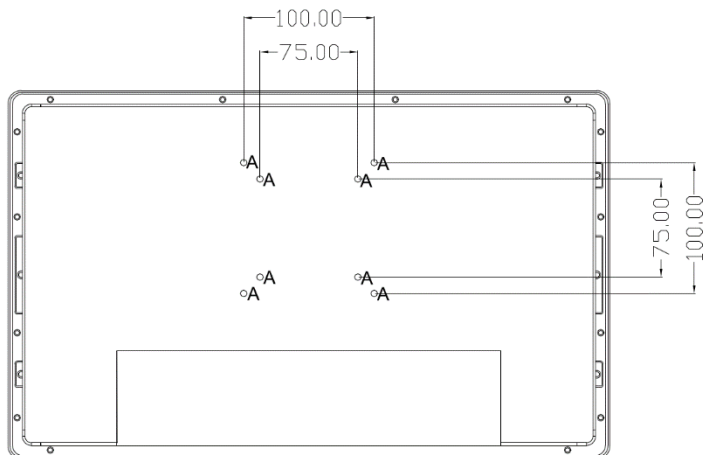
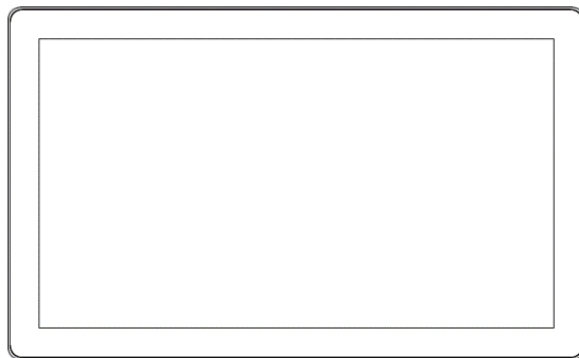
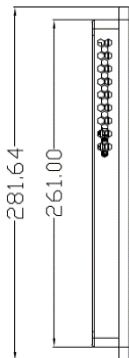
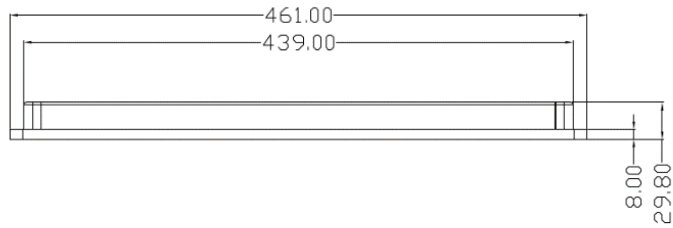
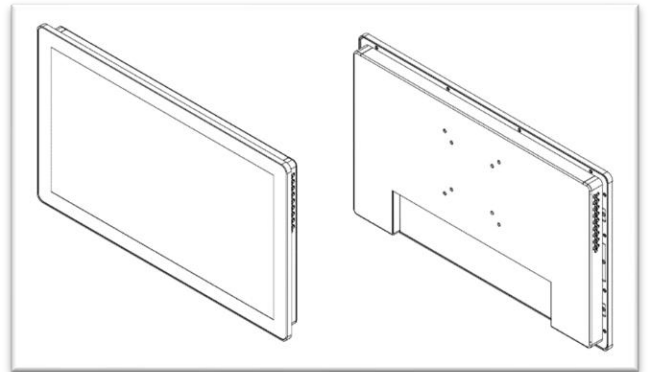
All brands or product names are trademarks or registered trademarks of their respective companies.



Mechanical Drawing

Outline Dimensions

Unit:mm





Ordering Information

Part Number	Description
IPPD-1858-ADB0-ZP00-0000	18.5",1600nits,1920x1080,T2070, PCAP(85%), LID18C, OCA, Front IP44 ,AEXP-ADB0-2556, 1HDMI/1DP/1USB Type-C/1USBType-A/1Audio, DC 12V

Optional Accessories

Part Number	Description
810618301010	CABLE.POWER.AC.1830mm USA type
810618301090	CABLE,POWER,AC,1830mm Europe type
810618301050	CABLE.POWER.AC.1830mm UK type
810618301170	CABLE.POWER,AC,1830mm Australia type
810618301031	CABLE.POWER.AC.1830mm Japan type