



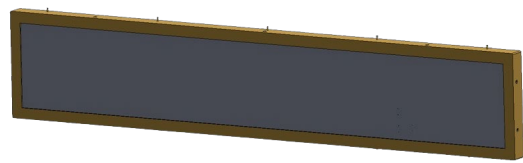
**ITRP-4805-APL8-ZG01-2001**

**48inch EN50155 LCD Panel PC System: LCD,48IN,16:2,1920x248, 1000NITS**

The ITRP-4805-APL8 is a 48 inch color TFT-LCD display with special aspect ratio 16:2 and wide resolution 1920 x 248. It is Litemax's Spanpixel series product which designed for high brightness 1000 nits with power efficiency LED backlight. It provides LCD panel with specific aspect ratios and sunlight readable for digital signage, public transportation, exhibition hall, department store, and vending machine

**Key Features**

- Ultra-Wide Screen (16 : 2)
- High Brightness 1000 nits
- Sunlight Readable
- LED Backlight
- BL MTBF: 100,000 hours
- Intel E3940 Inside,8GB RAM · 256GB mSATA
- 3mm tempered glass
- Fanless
- DIP Switch



**Specifications**

Model Name	ITRP-4805-APL8-ZG01-2001
Description	48" Resizing LCD, 1000 nits LED backlight, 1920x248
Screen Size	48"
Display Area (mm)	1209.6(H) x 156.24(V)
Brightness	1000 cd/m2
Resolution	1920 x 248
Aspect Ratio	16 : 2
Contrast Ratio	3000 : 1
Viewing Angle	178°(H),178°(V)
Display Colors	16.7M
Response Time (Typical)	10 ms
Interface	1xHDMI in, 2xUSB2.0, 2xLAN(M12),1xPWR
Processor	Intel Atom® E3940
Power Switch	YES
Brightness Control	YES (By Lan)
Memory	8GB DDR3L SDRAM up to 1866 MT/s
Ethernet	2xLAN 10/100Mbps
Storage	256GB mSATA
FAN	NO
Power Input	DC 110V input
Dimensions (mm)	1250 x 190 x 70.34 (w/o Bracket)



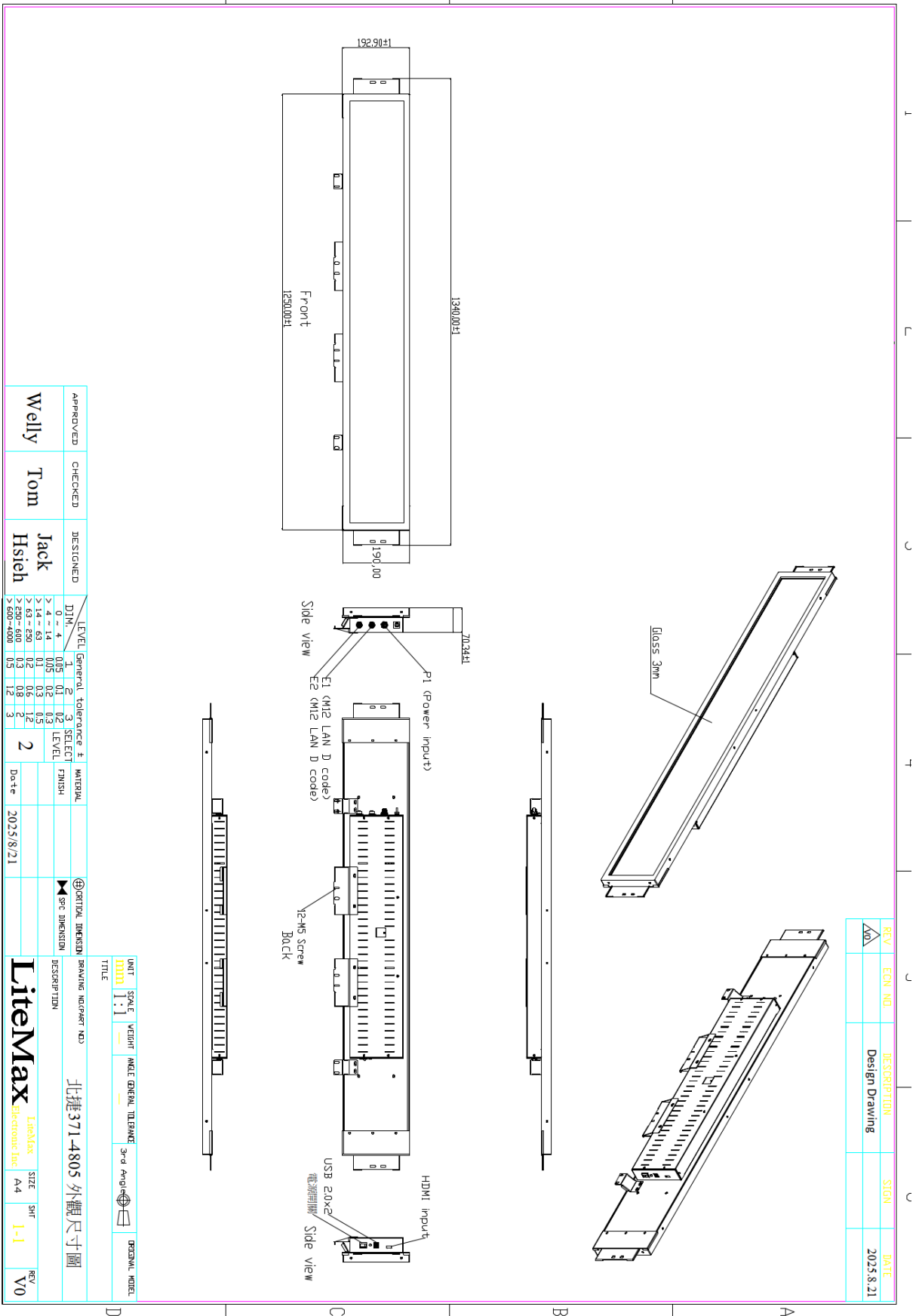
<b>Power Consumption</b>	70W
<b>Weight (Net)</b>	13.9 kg (w/o Bracket)
<b>Operating Temperature</b>	-25 °C ~ 55 °C (Panel 0 ~ 50 DegC)
<b>Storage Temperature</b>	-20 °C ~ 70 °C
<b>Humidity</b>	5% - 95%, non-condensing
<b>IP Rating</b>	IP20
<b>Backlight MTBF</b>	50,000 hours (@35 °C)
<b>Chassis</b>	SECC / Black
<b>Certification</b>	EN50155

*Specifications are subject to change without notice.*

*All brands or product names are trademarks or registered trademarks of their respective companies.*



## Mechanical Drawing



A4 297×210mm



### Ordering Information

Part Number	Description
ITRP-4805-APL8-ZG01-2001	48",1000nits,1920*248,LID48,Intel E3940 9.5W,8GB DDR3L,256GB M.2SSD,1HDMI/2USB/2LAN(M12) /1Power,3mm Glass,DC110V input.

### Optional Accessories

Part Number	Description