



## SSD2805-A

### 28" Resizing LCD, 1000 nits LED Backlight, 1920x360 ultra wide aspect ratio 16:3

The SSD2805-A is a 28 inch color TFT-LCD display with special aspect ratio 16:3 and wide resolution 1920 x 360. It is Litemax's Spanpixel series product which designed for high brightness 1000 nits with power efficiency LED backlight. It provides LCD panel with specific aspect ratios and sunlight readable for digital signage, public transportation, exhibition hall, department store, and vending machine.

#### Key Features

- 28" Resizing LCD
- Ultra Wide Screen 16:3
- High Brightness 1000 nits
- Sunlight Readable
- LED Backlight
- Low Power Consumption
- BL MTBF: 100,000 hours



### Specifications

<b>Model Name</b>	<b>SSD2805-A</b>
<b>Description</b>	28" Resizing LCD, 1000nits LED Backlight, 1920x360
<b>Screen Size</b>	28"
<b>Display Area (mm)</b>	698.4(H) x 130.95(V)
<b>Brightness (Typical)</b>	1000 cd/m2
<b>Resolution</b>	1920x360
<b>Aspect Ratio</b>	16:3
<b>Contrast Ratio (Typical)</b>	5400 : 1
<b>Pixel Pitch (mm)</b>	0.36375(H) x 0.36375 (V)
<b>Pixel Pre Inch (PPI)</b>	70
<b>Viewing Angle</b>	178°(H),178°(V)
<b>Color Saturation (NTSC)</b>	86%
<b>Display Colors</b>	16.7M
<b>Response Time (Typical)</b>	6.5ms
<b>Panel Interface</b>	LVDS
<b>Input Interface</b>	DVI-D/VGA/HDMI
<b>Input Power</b>	DC12V
<b>Power Consumption</b>	25.32W
<b>OSD Key</b>	4 Keys (Power Switch, Menu, +, -)
<b>OSD Control</b>	Brightness, Color, Contrast, Auto Turing, H/V Position...etc
<b>Dimensions (mm)</b>	737 x 170 x 57.9
<b>Bezel Size(U/B/L/R)</b>	19.5/19.53/19.3/19.3
<b>Mounting</b>	75x75 、 400x75 mm
<b>Weight (Net)</b>	5.4Kg
<b>Operating Temperature</b>	0 °C ~ 50 °C
<b>Storage Temperature</b>	-20 °C ~ 60 °C

SSD= Panel + LED Driving Board + AD Control Board + Chassis

*Specifications are subject to change without notice.*

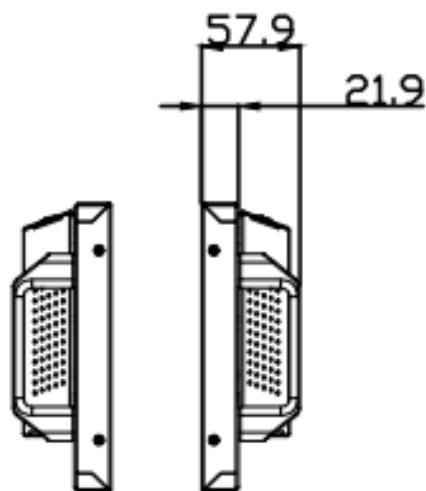
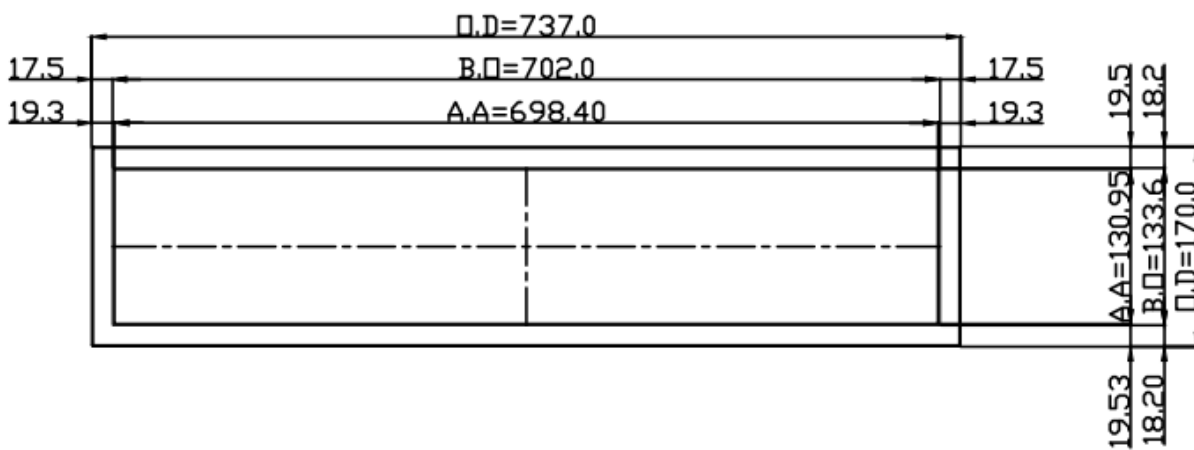
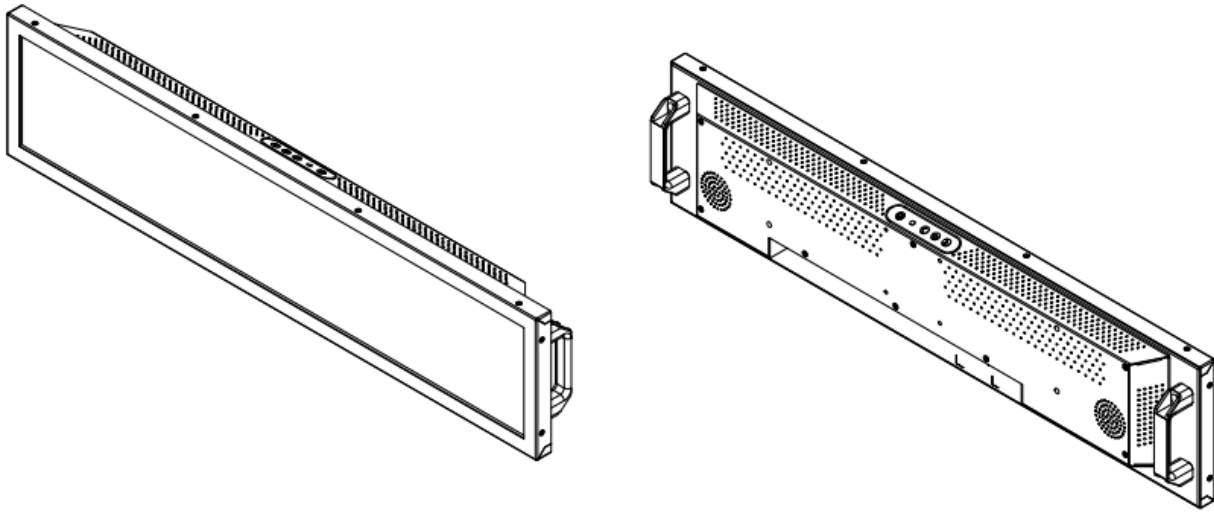
*All brands or product names are trademarks or registered trademarks of their respective companies.*

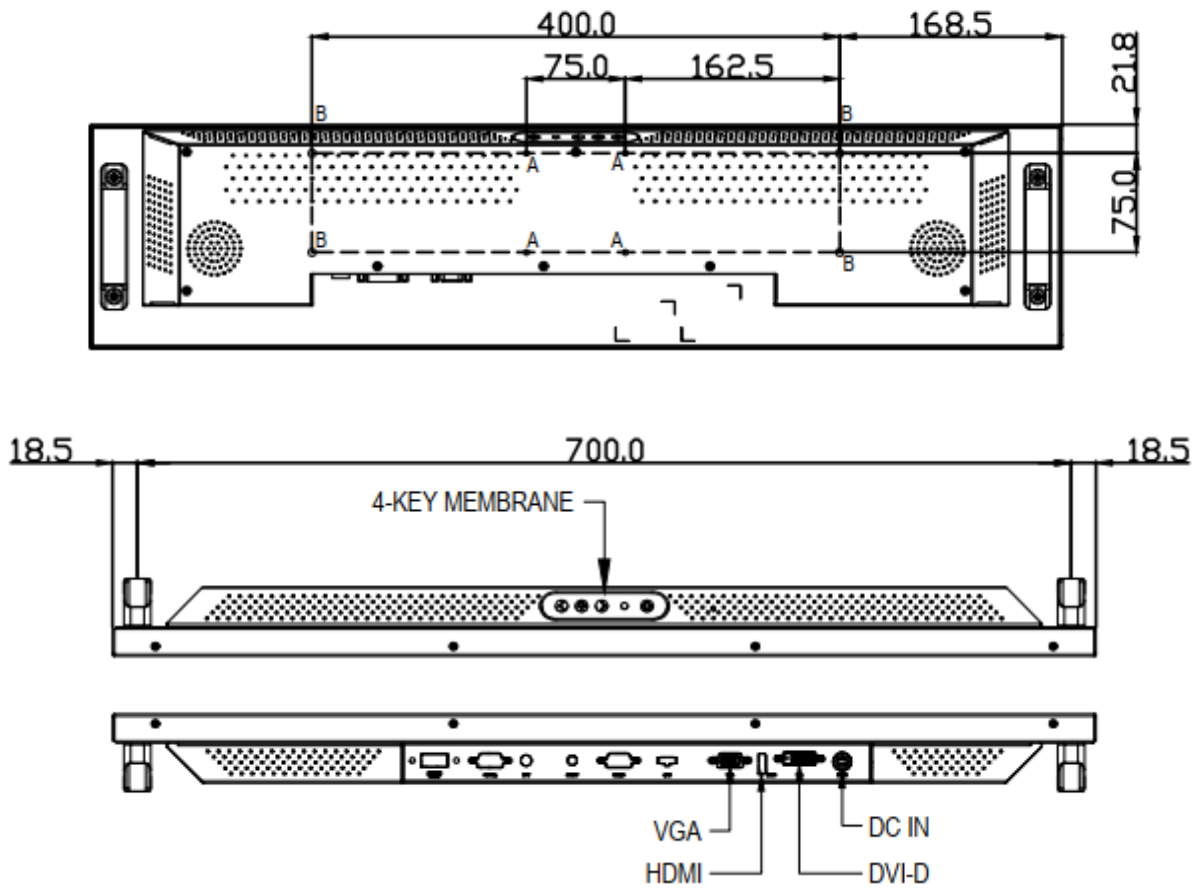


## Mechanical Drawing

### Outline Dimensions

Unit:mm





Note :

O.D. : OUTLINE DIMENSION

B.O. : BEZEL OPENING

A.A. : LCD ACTIVE AREA

A : 4-M4\_USER HOLE\_MAX DEPTH=4 mm

B : 4-M6\_USER HOLE\_MAX DEPTH=4 mm



### Ordering Information

Part Number	Description
SSD2805-ANB-Q11	28",1000nits,1920x360,P6.1,LID28C,AD8891G-DH,O/B,DC12V,3in1,V1

### Optional Accessories

Part Number	Description
810618301010	CABLE,POWER,AC,1830mm USA type
810618301090	CABLE,POWER,AC,1830mm Europe type
810618301050	CABLE,POWER,AC,1830mm UK type
810618301170	CABLE,POWER,AC,1830mm Australia type
810618301031	CABLE,POWER,AC,1830mm Japan type

### Customer request

Touch	SCT (Single-Touch), PCT (Multi-Touch)
Glass	Tempered glass, AR coating.....