



CPH5503-MNS-E11

55", 600nits, S-Curve with the curvature of Top R1500 and Bottom R1000, 3840x2160, MaxRGB

Litemax CPH5503-MNS is a 55 inches S type curved 4K2K LCD with the curvature of Top R1500 and Bottom R1000. Integrate multi-input interface DP and HDMI, total solution for casino slot machines, gaming, and kiosks.

Key Features

- 55" Large format, S curved LCD
- Curvature of Top R1500 and Bottom R1000
- Resolution 3840x2160
- High Brightness 600nits
- High Color Saturation
- wide viewing angle (178° ~178°)

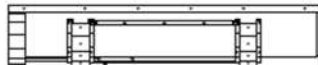
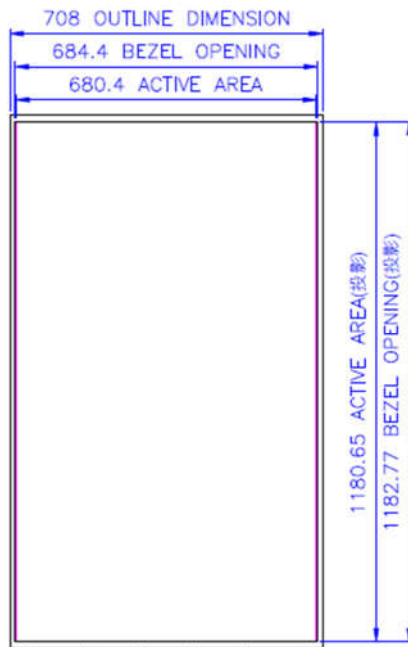
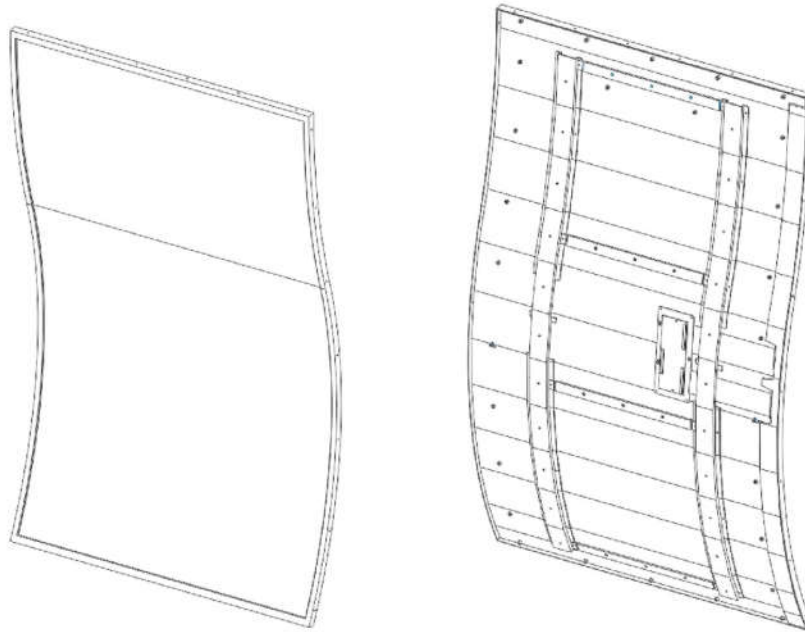


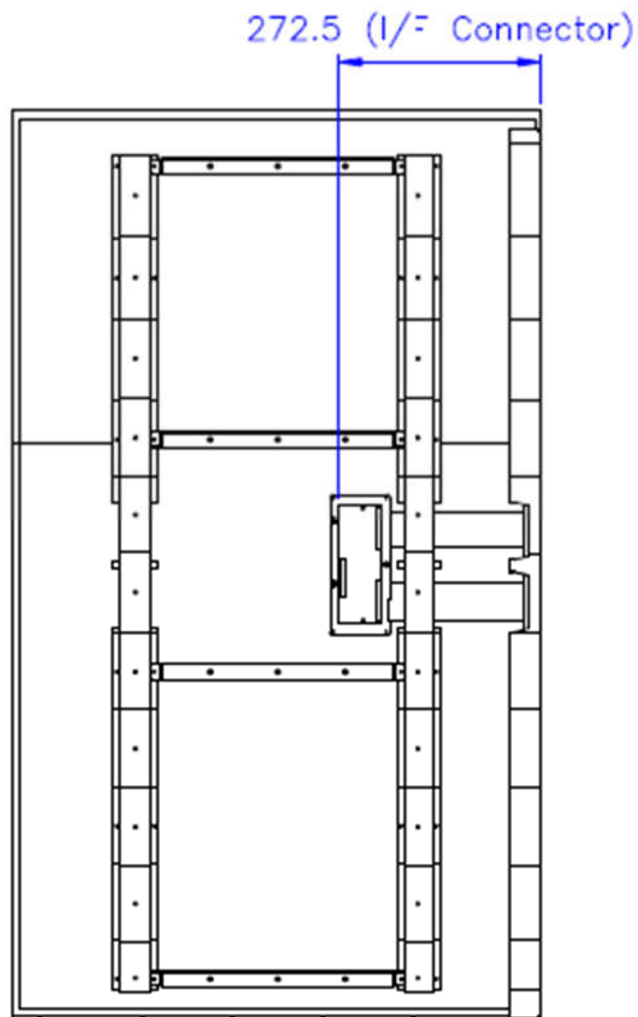
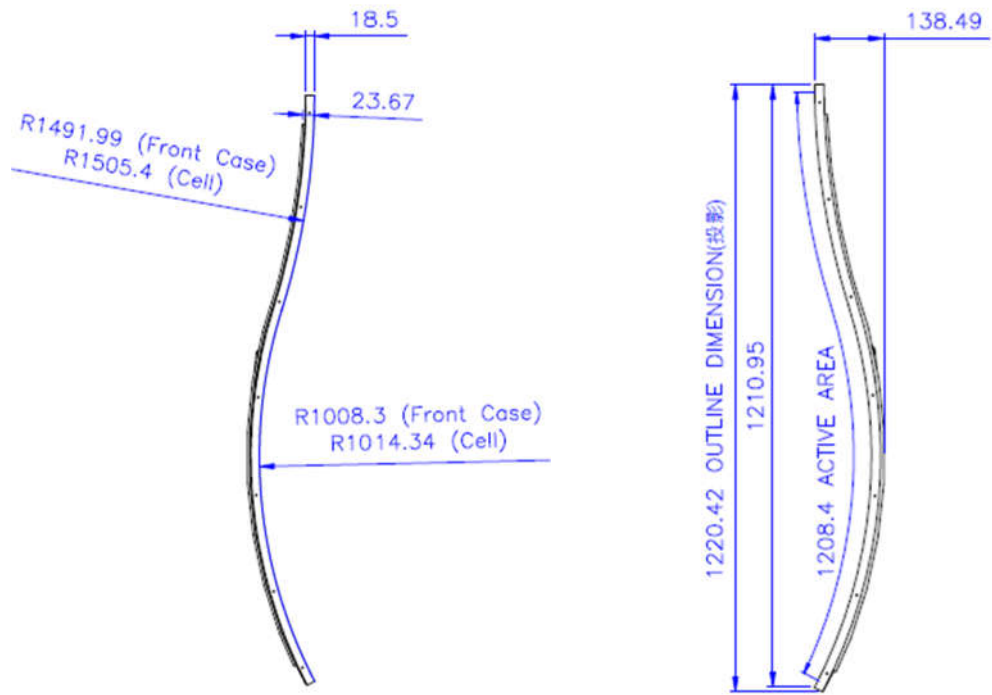
Specifications

Model Name	CPH5503-MNS-E11
Description	55", 600nits, S-Curve Top R1500 and Bottom R1000, 3840x2160, MaxRGB
Screen Size	55"
Display Area (mm)	1209.6 (H) x 680.4 (V)
Brightness	600 cd/m ²
Resolution	3840x2160
Aspect Ratio	16 : 9
Contrast Ratio	2000 : 1
Pixel Pitch (mm)	0.315(H) x 0.315 (V)
Pixel Per Inch (PPI)	80
Viewing Angle	178°(H),178°(V)
Color Saturation (NTSC)	92%
Response Time (Typical)	8ms
Input Interface	HDMI, DP
Input Power	DC 24V
LCD Power Consumption	TBD
Outline Dimension (mm)	1220.42 x 708
Operating Temperature	0 °C ~ 50 °C
Storage Temperature	-20 °C ~ 60 °C



Mechanical Drawing







Ordering Information

Part Number	Description
CPH5503-MNS-E11	55",400nits,3840x2160,MaxRGB,S-Curve Top R1500 and Bottom R1000, LID55C,AD9800HP,DC24V,V1