



IPPC-1583-RKC3 15.8" TFT LCD, LED Backlight 500nits, FHD (2560x600)

The **IPPC-1583-RKC3** is a **15.8** inch industrial grade sunlight readable LCD, with high brightness **500** nits and high color saturation, it produce sharp images, crisp text and lifelike colors. The Durapixel LED backlight technology ensures high reliability and low power consumption, suitable for outdoor application, kiosk, factory automation and gaming application.

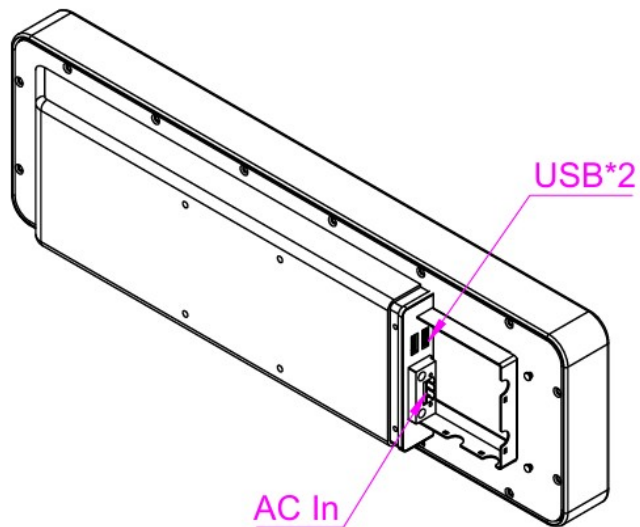
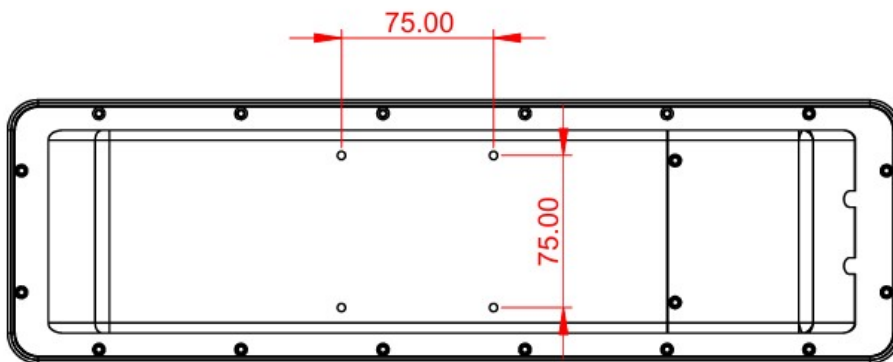
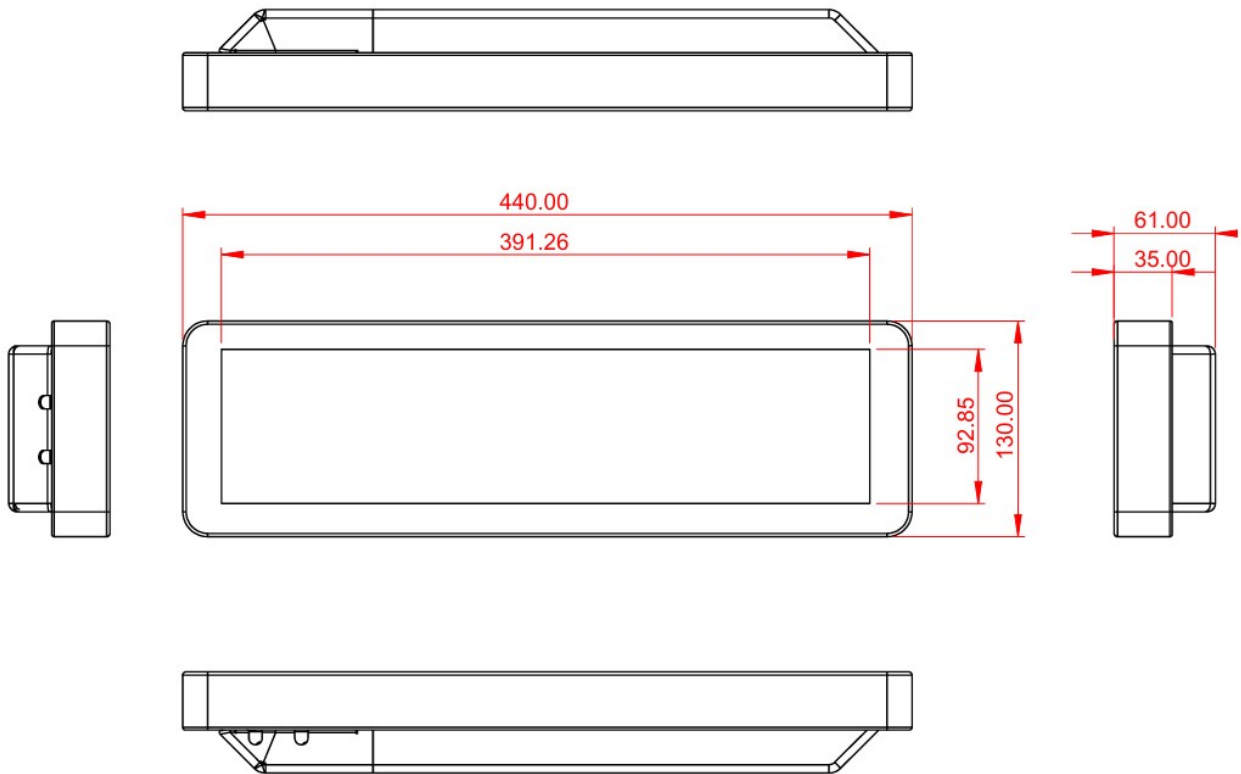
Key Features

- Brightness 500 nits
- Quad-core ARM Cortex-A55 CPU and Mali-G52 GPU
- 2GB RAM, 16GB eMMC flash
- 3mm Tempered Glass
- Full IP54
- Android



Specifications

Model Name	IPPD-1583-RKC3
Description	15.8" TFT LCD, 500 nits LED Backlight, 2560x600
Screen Size	15.8"
Display Area (mm)	92.85(H) x 391.26(V)
Brightness	500 cd/m ²
Resolution	2560 x 600
Aspect Ratio	Bar Type
Contrast Ratio	1000 : 1
Pixel Pitch (mm)	152.25(H) ×152.25(V)
Viewing Angle	178°(H),178°(V)
Input Interface	USB2.0x2 、Power(Terminal)x1
CPU	Rockchip RK3566 Quad-core ARM Cortex-A55 CPU
OS	Android 11.0
RAM	2GB LPDDR4
Storage	16GB eMMC
Input Power	AC 110 -240 V
Glass	3mm
Power Consumption	20W
IP Level	Full IP54
Dimensions (mm)	440 x 130 x 61 mm
Weight (Net)	2.3 KG
Mounting	Wall Mount 、VESA 75x75
Operating Temperature	0°C ~ 60 °C
Storage Temperature	-25°C ~ 75 °C





Specifications are subject to change without notice.

All brands or product names are trademarks or registered trademarks of their respective companies.

Ordering Information

Part Number	Description
IPPC-1583-RKC3-ZP00-1001	15.8",500nits,2560x600,LID15C,3mm glass, RK3566 Quad-core ARM Cortex-A55 CPU,2GB LPDDR4,16GB eMMC,2USB2. 0,1PWR,AC110~240V input

Optional Accessories

Part Number	Description